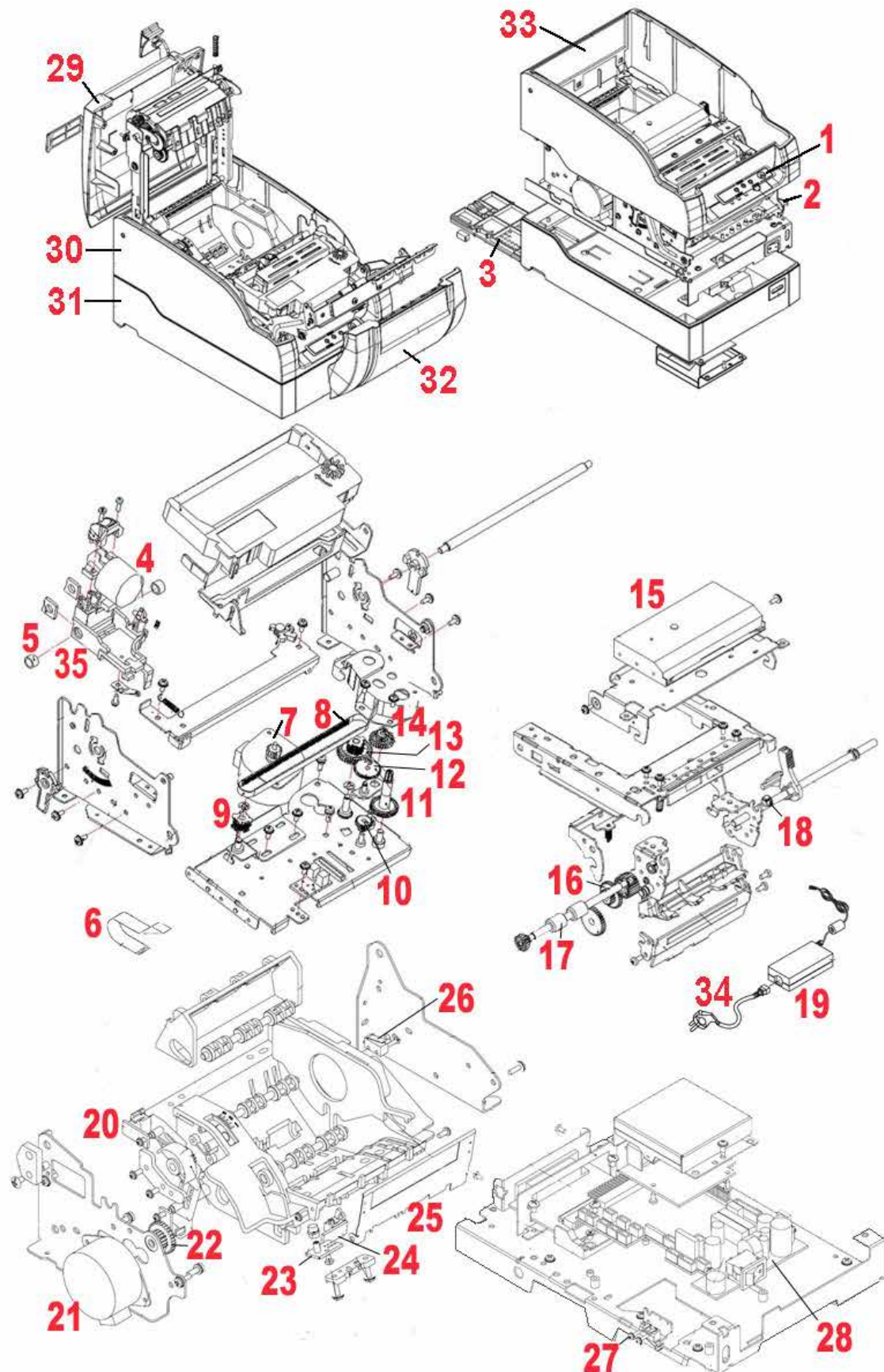


BTP-M300 Replacement Parts



Ref. No.	CRS Item No.	Description
01	501556	Label, Button BTP-M300
02	501499	Board, Button & Led BTP-M300
03	132544	Cover, Plate Power Blk BTP-M300
04	501496	Print Head BTP-M300
05	417024	Hp Bushing BTP-M280B
06	417013	Cable Print Head BTP-M280B
07	417075	Motor, Carriage BTP-M300
08	417036	Timing Belt BTP-M280
09	417029	Belt Tensioner BTP-M280B
10	417035	Printing Gear 1 BTP-M280
11	417014	Gear, Ribbon Drive BTP-M280b
12	417034	Printing Gear 3 BTP-M280
13	417028	Belt Initiative Gear BTP-M280
14	417033	Printing Trans Gear BTP-M280
15	501497	Cutter Assy, BTP-M300
16	417032	Paper Feed Gear BTP-M280
17	417022	Platen Roller BTP-M280b

Ref. No.	CRS Item No.	Description
18	417023	Roller Bushing BTP-M280B
19	501557	Power Supply BTP-M300
20	417073	Sensor, Vert Paper Near End BTP-M300
21	417026	Paper Feed Step Motor BTP-M280B
22	417032	Paper Feed Gear BTP-M280
23	417069	Sensor, Mark BTP-M300
24	417019	Paper End Sensor BTP-M280B
25	417025	Paper Guide BTP-M280B
26	417071	Microswitch, End Cover BTP-M300
27	417070	Microswitch, Front Cover BTP-M300
28	501498	Logic Board BTP-M300
29	132540	Cover, Top Black BTP-M300
30	132541	Cover, Middle Black BTP-M300
31	132542	Cover, Bottom Black BTP-M300
32	132543	Cover, Front Black BTP-M300
33	132545	Cover, Baffle Middle Black BTP-M300
34	250014	Cord Power UL 6'
35	417060	New Style Head Carriage