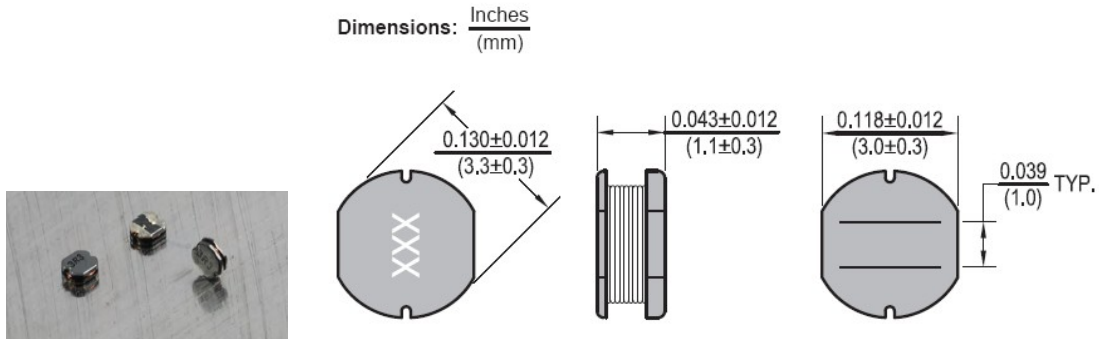




# Power Flat Inductor PF03011



Wilco Part Number	Inductance (uh)	Tolerance (%)	Test Freq. KHz 1V	DCR Max	IDC (mAmps)
PF03011-1R0M-LF	1	20	100	0.08	1800
PF03011-1R5M-LF	1.5	20	100	0.13	1440
PF03011-2R2M-LF	2.2	20	100	0.18	1260
PF03011-3R3M-LF	3.3	20	100	0.27	1080
PF03011-3R9M-LF	3.9	20	100	0.32	1000
PF03011-4R7M-LF	4.7	20	100	0.33	900
PF03011-5R6M-LF	5.6	20	100	0.48	760
PF03011-6R8M-LF	6.8	20	100	0.56	680
PF03011-8R2M-LF	8.2	20	100	0.62	630
PF03011-100M-LF	10	20	100	0.90	560
PF03011-120M-LF	12	20	100	1.00	520
PF03011-150M-LF	15	20	100	1.10	500
PF03011-180M-LF	18	20	100	1.24	460
PF03011-220M-LF	22	20	100	1.40	360
PF03011-270M-LF	27	20	100	2.18	300
PF03011-330M-LF	33	20	100	2.54	280
PF03011-390M-LF	39	20	100	2.80	260
PF03011-470M-LF	47	20	100	3.10	250
PF03011-500M-LF	50	20	100	3.20	240
PF03011-560M-LF	56	20	100	3.50	230
PF03011680M-LF	68	20	100	5.80	200
PF03011-750M-LF	76	20	100	6.10	180
PF03011-820M-LF	82	20	100	6.60	170

**Features:** Unshielded SMD design, high current applications, ideal for DC-DC converter applications, great for auto insertion.

**Physical:** packaging 3000 pieces per 13 inch reel, marking EIA inductance code

**Electrical:** operating temp. -40C to 85C, rated current inductance drop 10% typical

**Resistance to Soldering Heat:** pre-heat 150C 1 min solder temp. 260C +/- 5C immersion time 10 sec +/- 1 sec solder composition Sn/Ag3.0/Cu0.5