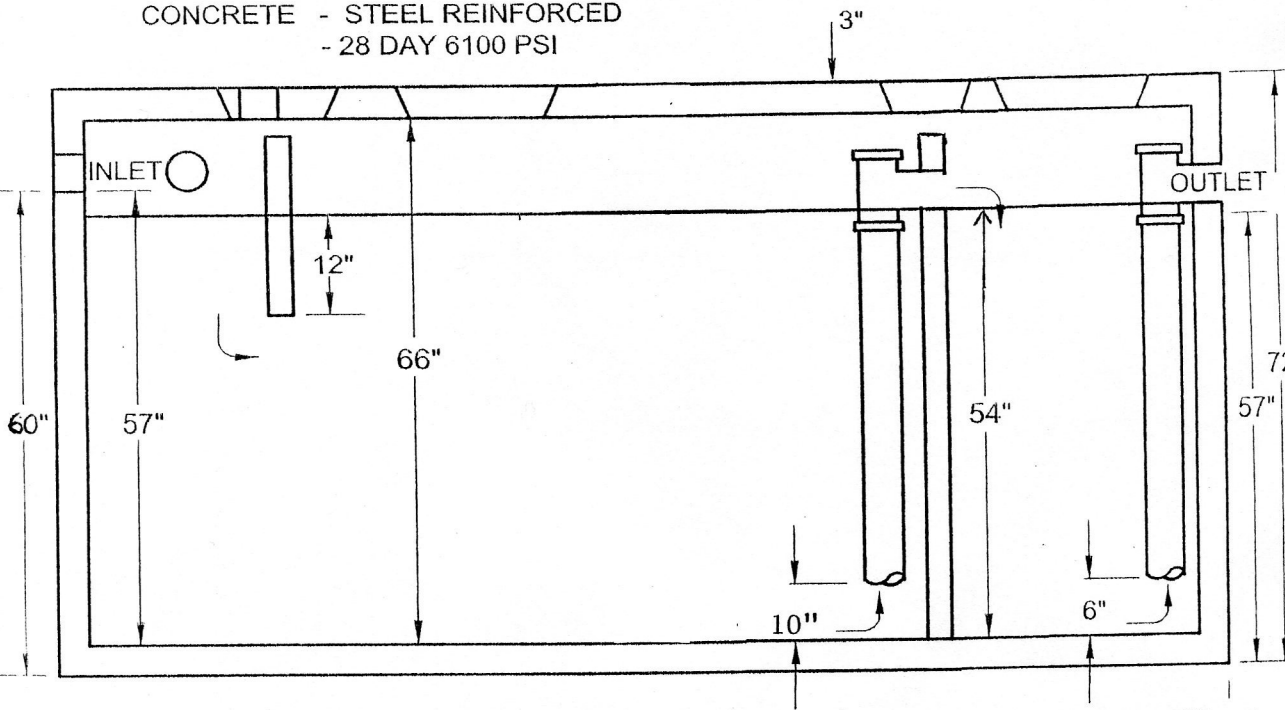


BAFFLE - CAST IN PLACE  
 PIPE SEALS - HIGH PRESSURE BOOT  
 TANK SEAL - FEDERAL SPEC. ASTM C990  
 CONCRETE - STEEL REINFORCED  
 - 28 DAY 6100 PSI



## Concrete 1250 gal. Grit/Oil and Water Separator



*Lycoming, A division of Lycoming Burial Vault Co., Inc.*

350 Spruce Street Montoursville, PA 17754

Phone: (570) 368-8642 Toll Free: (800) 640-0052 Fax: (570) 368-2299

Drawn by: Wentz & Webster Engineering 11/21/08