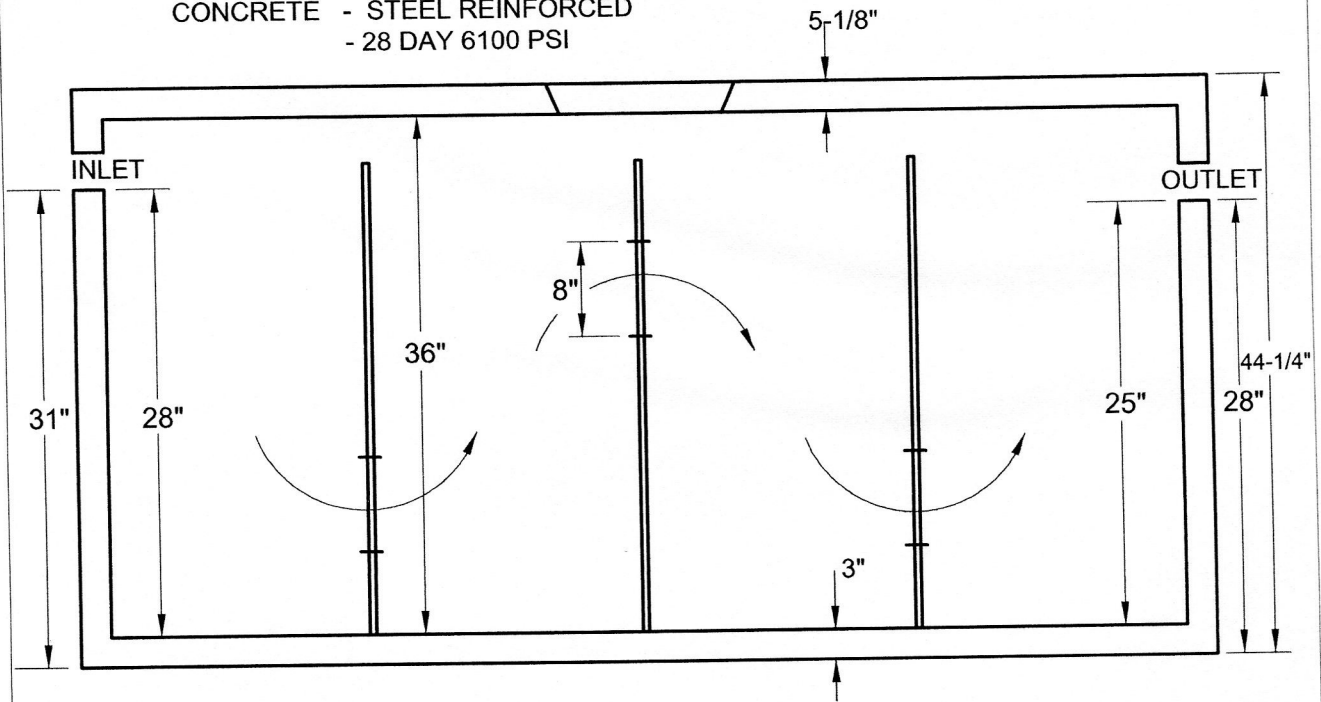


BAFFLE - PLASTIC 3/4 INCH  
 PIPE SEALS - HIGH PRESSURE BOOT  
 TANK SEAL - FEDERAL SPEC. ASTM C990  
 CONCRETE - STEEL REINFORCED  
 - 28 DAY 6100 PSI

458 GAL CAPACITY  
 18.3 GAL PER INCH



## Concrete 450 gal. Chlorine Contact Tank



**Lycoming, A division of Lycoming Burial Vault Co., Inc.**

**350 Spruce Street Montoursville, PA 17754**

**Phone: (570) 368-8642 Toll Free: (800) 640-0052 Fax: (570) 368-2299**

*Drawn by: Wents & Webster Engineering 11/21/08*