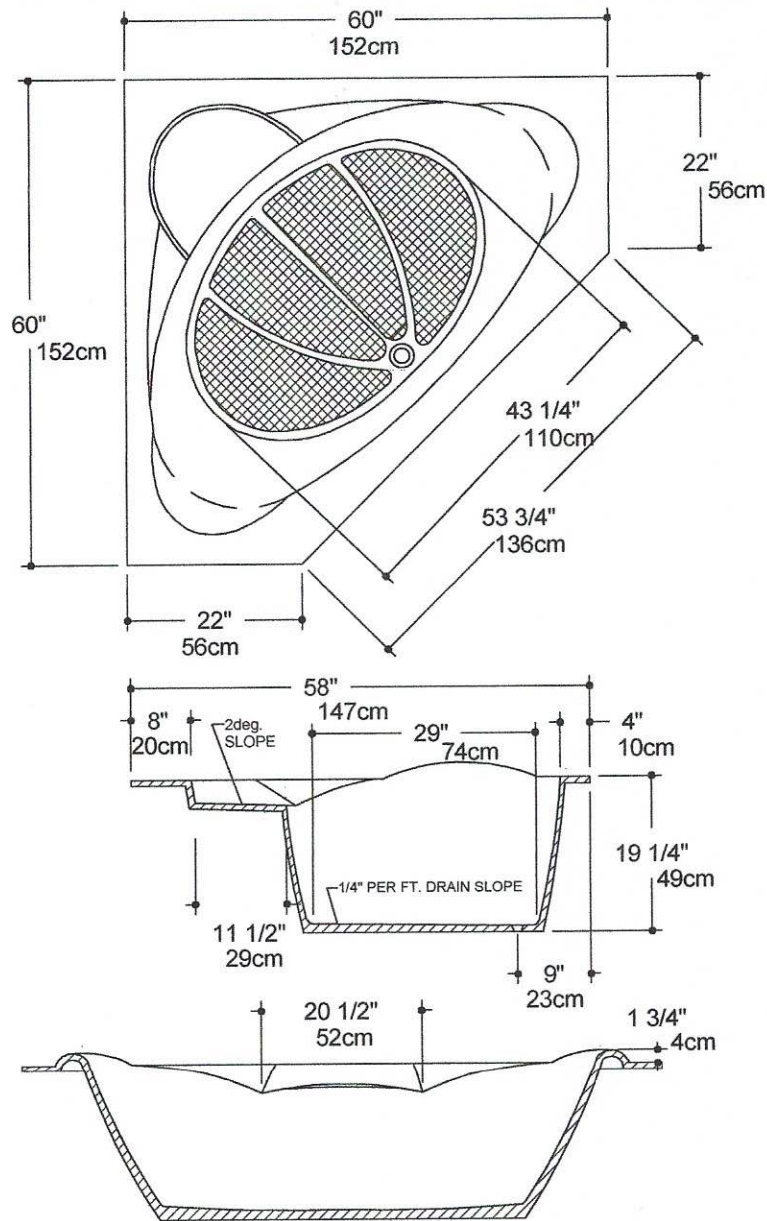


**MK44**



GRUBER SYSTEMS RESERVES THE RIGHT TO CHANGE THIS INFORMATION AT ANY TIME WITHOUT PRIOR NOTICE. ISSUED BY GRUBER SYSTEMS INC., 25636 AVENUE STANFORD, VALENCIA, CA 91355, USA. COPYRIGHT 2002

MOLD PART	CATALOG No.	DESCRIPTION
MALE	29044	MK 44 MALE
FEMALE	490448	F- MK 44 ONE PIECE
2PC FEM DECK	490441	F- MK 44 DECK
2PC FEM BOT	490442	F- MK 44 BOTTOM
TURTLE	490443	F- MK 44 INSERT
ULFF	490449	ULFF MK 44- 1/2 WALL THICKNESS
ULFF INSERT	4904491	ULFF MK 44 INSERT 1/2
SPEEDY PLUG		
NAME	MARK 44 CRNR. BATHTUB 60" X 60" X 19 1/4" (152cm X 152cm X 49cm)	
CAST WEIGHT	SCALE 1/2" = 1' 0"	DATE 3-30-02 PAGE No. T-35