

Access for Construction

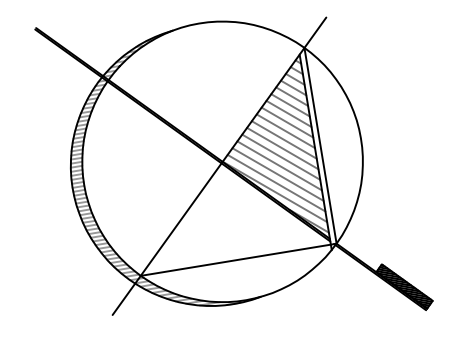
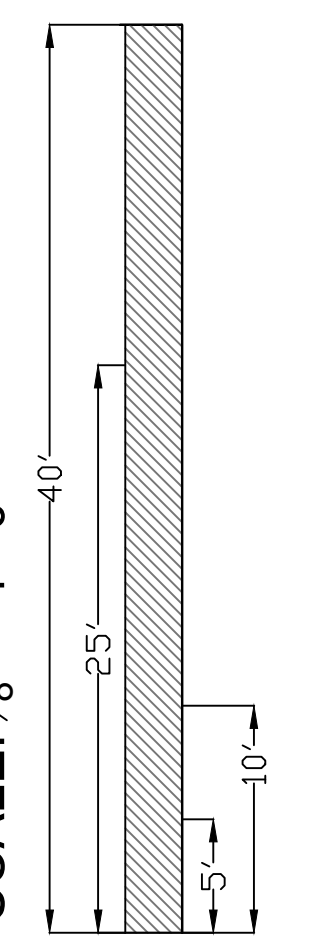


2037 Hermine Ave. Walnut Creek, CA 94596
 Phone (925) 933-3848 Fax (925) 935-2898
 Website : www.alderland.com
 Email : info@alderland.com

DAVIS RESIDENCE
 48 CORLISS DRIVE
 MORAGA, CA 94556

SITE PLAN

SCALE: 1/8" = 1'-0"



DATE:	05-25-20
DESIGNED:	D.V.
REVISIONS:	
DRAWN:	C. LINES
PAGES OF DESIGN:	1

