
Variable-Area Flowmeters

**KDS
BGK**

Operating Instructions
KDS-K/C/S
KDS-R
BGK
KDS-(E) analogue output



Contents

1	Introduction	5
2	Safety instructions	5
2.1	Installation, start-up and operating personnel	5
2.2	Intended use	5
2.3	Packaging, mounting and shipment	5
2.4	Returning devices for repair and service	5
3	Identification	6
3.1	Supplier/manufacturer	6
3.2	Product type	6
3.3	Product name	6
3.4	Issue date	6
3.5	Version no.	6
4	Applications	6
4.1	KDS und BGK	6
4.2	KDS-R	6
5	Operational mode and system design	7
5.1	Measuring principle for BGK and KDS-K/C/S flowmeters	7
5.2	BGK and KDS-K/C/S system design	7
5.3	Measuring principle of the KDS-R	7
5.4	KDS-R system design	7
6	Input 7	
6.1	Measured variable	7
6.2	Measuring range	7
6.3	Regulator range	7
6.4	Measuring range table	8
7	Electrical output	8
7.1	Limit switches	8
7.2	Analog output	8
8	Measuring accuracy	8
8.1	Influence of fluid temperature	8
9	Conditions of use	9
9.1	Mounting/start-up	9
9.1.1	Device setting	9
9.1.2	Switch point setting	10
9.2	Ambient conditions	10
9.2.1	Ambient temperature ranges	10
9.2.2	Storage temperature	10
9.2.3	Climatic category.....	10
9.2.4	Degree of protection.....	10
9.2.5	Shock resistance/vibration resistance.....	10
9.2.6	Electromagnetic compatibility	10

9.3 Fluid conditions 10

9.3.1 Fluid temperature ranges KDS-S/C/K and BGK 10

9.3.2 Fluid temperature range KDS-R 10

9.3.3 Fluid pressure limit 10

9.3.4 Inlet and outlet sections 10

9.3.5 Physical state 10

9.3.6 Pressure (for gas measurement) 11

9.3.7 Pressure loss 11

10 Construction details, type of construction/dimensions 11

10.1 KDS-K/C 11

10.2 KDS-S 12

10.3 KDS-R with 1/4" NPT (F) connection as outlet pressure regulator version 12

10.4 KDS-R with 1/4" NPT (F) connection as inlet pressure regulator version 13

10.5 BGK with flange connection 13

10.6 KDS / BGK with M12 plug connection 14

10.7 Weights 14

10.8 Materials 14

10.9 Process connection 14

11 Available accessories 15

12 Electrical connection 15

12.1 Wiring diagram for limit transducer 15

12.2 Connection M12 plug socket 15

12.2.1 M12 standard configuration 1 x inductive sensor NJ 1.5-6.5-N 15

12.2.2 M12 standard configuration 2 x inductive sensors NJ 1.5-6.5-N 15

12.2.3 M12 standard configuration 1 x inductive sensor NJ 2-11 SN 15

12.2.4 M12 standard configuration 1 x inductive sensor NBB 2-6.5M 30-E2 16

12.2.5 M12 standard configuration 2 x inductive sensors NBB 2-6.5M 30-E2 16

13 Indicator unit 16

14 Auxiliary power for limit switch 16

15 Analog output 4-20 mA 16

15.1 Measuring principle 16

15.2 System configuration 16

15.3 Measured variable 17

15.4 Parameters 17

15.5 Electrical connection 17

16 Use in hazardous areas 17

16.1 Atmospheric conditions 18

16.2 Electrostatic charge of non-conductive parts 18

16.3 Ground connection 18

16.4 Mechanical strength 18

16.5 Without electrical equipment 18

16.6 With integrated electrical sensors 19

16.6.1 With limit transducer 19

16.6.2 Analog output 4-20mA 19

16.6.3 Depending on the fluid and ambient temperature 19

17 CE mark 19

18 Standards and directives 20

19 Order information 20

20	Maintenance	20
21	Trouble shooting	20
22	Decontamination certificate for device cleaning	21
23	EC Type Examination Certificate of the inductive sensor	22
24	Declaration of Conformity NJ1,5-6,5-N.....	22
25	Declaration of Conformity NJ2-11-SN	22
26	Declaration of conformity	23
27	Own notes	26

1 Introduction

This installation and operating manual explains how to operate, install and perform maintenance on the flowmeter. Please read the manual carefully before installing the device and putting it into operation. The manual does not apply to non-standard versions or applications.

All devices are thoroughly tested and checked for order compliance prior to shipping. Upon receipt of the device, check it for shipping damage.

If any problem comes to light, contact our head office in Cologne. Please describe the problem and indicate type and serial number of the device. We extend no guarantee of any kind for repair work that is undertaken without notifying us in advance of the intention to carry out such work. Unless otherwise agreed, any part or component for which a claim is lodged is to be sent to us for examination.

2 Safety instructions

2.1 Installation, start-up and operating personnel



Only trained specialists authorized by the system operator may carry out the installation, electrical installations, start-up, maintenance and operation. They must read and understand the operating manual and follow its instructions.

Basically, follow the conditions and provisions applicable in your country.

Heinrichs Messtechnik GmbH accepts no liability for any loss or damage of any kind arising from improper operation of any product, improper handling or use of any replacement part, or from external electrical or mechanical effects, overvoltage or lightning. Any such improper operation, use or handling shall automatically invalidate the warranty for the product concerned.

2.2 Intended use

The KDS or BGK variable-area flowmeters may be used only for flow measurements of fluid and gaseous media. The manufacturer shall not be liable for damages that may result from improper or unintended use.

When dealing with an aggressive medium, clarify the material durability of all wetted parts.

When using the device in hazardous areas, follow the applicable national installation rules (see also Section 16 "Use in hazardous areas").

2.3 Packaging, mounting and shipment

Carefully unpack the device to avoid damaging it.

With the help of the delivery note enclosed in the packaging, check whether all technically relevant data coincide with your requirements.

Storage and installation must be done in a clean and dry room so that contamination – especially of the interior of the fitting – is avoided. Follow the limit values for ambient temperature. When transporting the device to a remote mounting location, we recommend that you reuse the factory-issued packaging and the transport protection.

2.4 Returning devices for repair and service

Note: In accordance with the applicable German waste disposal legislation, the owner/client is responsible for the disposal of special waste and hazardous materials. Consequently, all devices sent to us for repair must be free of any hazardous materials. This also applies to possible hollow spaces and fissures in the devices. If repair is necessary, confirm the above-mentioned item in writing (**please use the form in the Section 22**).

If hazardous materials remain in or on the device after it has been returned, Heinrichs Messtechnik is authorized to remove them at the client's expense without further inquiry.

3 Identification

3.1 Supplier/manufacturer

Heinrichs Messtechnik GmbH
 Robert-Perthel-Str. 9 · D-50739 Köln
 Phone +49 (221) 49708 - 0
 Fax +49 (221) 49708 - 178
 Internet: <http://www.heinrichs.eu>
 E-Mail: <mailto:info@heinrichs.eu>

3.2 Product type

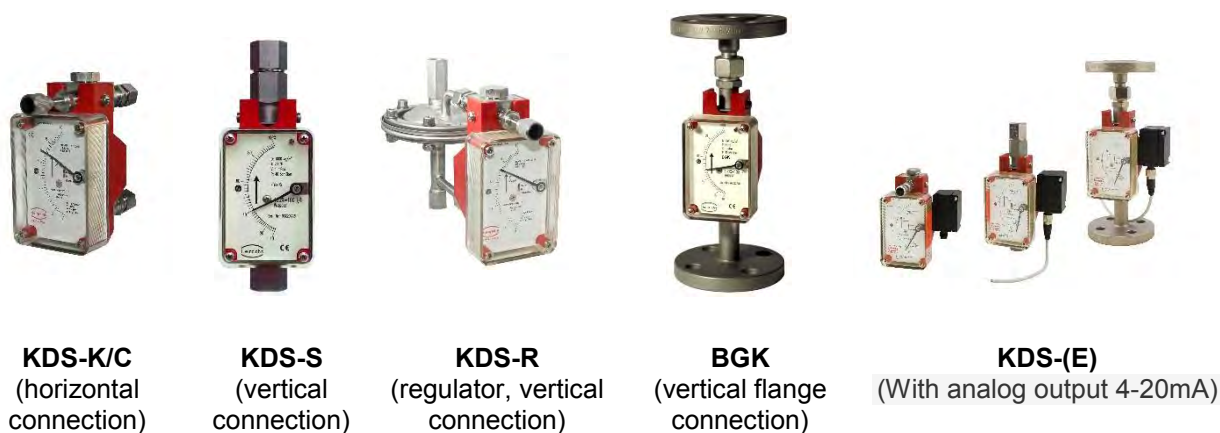
KDS-K/C/S and BGK:

Miniature flowmeter in all-metal design based on the float principle

KDS-R:

Miniature flowmeter in all-metal design based on the float principle with differential pressure regulator

3.3 Product name



KDS-K/C
(horizontal connection)

KDS-S
(vertical connection)

KDS-R
(regulator, vertical connection)

BGK
(vertical flange connection)

KDS-E
(With analog output 4-20mA)

3.4 Issue date

2017.08.31

3.5 Version no.

KDS-BGK_BA_17.01_en

This manual is valid for devices with a serial number bigger as **332000**.

4 Applications

4.1 KDS und BGK

The KDS and BGK flowmeters are used for measuring the flow of liquid and gaseous products in pipes as well as dosing, monitoring, adjusting and controlling them. They show the current flow quantity in volume or mass per unit in time.

4.2 KDS-R

The KDS-R flowmeter can be used for stabilizing set flow quantities of liquid and gaseous products in pipes. The set quantity is kept constant independent of pressure changes during product inflow for type KDS-R.....N or a pressure change during product outflow for type KDS-RV.

5 Operational mode and system design

5.1 Measuring principle for BGK and KDS-K/C/S flowmeters

Float principle: The product flows through the meter vertically from the bottom to the top, lifting the float until the buoyancy force and the weight of the float establish equilibrium. The height of the float is a measure of the flow quantity.

5.2 BGK and KDS-K/C/S system design

The meter consists of a conical fitting pipe with a float that can move vertically. The position of the float resulting from the flow rate is converted to a rotary motion on the pointer axis of the analog indicator unit by the built-in permanent magnet through the magnetic tracking system.

5.3 Measuring principle of the KDS-R

Differential pressure: The diaphragm of the regulator is in a state of equilibrium when the pressure conditions are the same on both sides. The pressure on the input side depends on the pressure of the product and the pressure on the output side on the pressure drop of the setting valve of the flowmeter. If the pressure changes either on the input side or the output side, the built-in diaphragm valve causes a pressure compensation that keeps the set flow rate constant.

Important: The regulator can only adjust pressure fluctuations on the input or the output side. The pressure conditions on the respective other side must be stable.

5.4 KDS-R system design

The unit consists of a type KDS variable-area flowmeter equipped with a differential pressure regulator.

The variable-area flowmeter consists of the device fitting made of stainless steel with an integrated conical metal tube and a vertically movable float. The valve for setting the flow rate is built-in.

The height of the float resulting from the flow rate is transmitted by the permanent magnet in the float through the magnetic tracking system in a rotation to the pointer axis of the analog indicator unit.

The differential pressure regulator is made of stainless steel and consists of a diaphragm made of Perbunan or PTFE and a compensating valve made of stainless steel.

For gaseous products, two versions are available:

- 1) KDS-R...-HV- for a constant inlet pressure and a variable outlet pressure
 - 2) KDS-R...-HN- for a constant outlet pressure and a variable inlet pressure
- For liquids, both versions can be used; however, the KDS-R...-V version is preferred.

6 Input

6.1 Measured variable

Volume flow

6.2 Measuring range

The lower range value is considered 10% of the upper range value.

Measuring range span: 10-100%
Smallest measuring range: 0.1-1.0 l/h water

Largest measuring range: 10-100 l/h water (KDS-K/C)
20-200 l/h water (KDS-S and BGK)

6.3 Regulator range

Largest regulator range:
10-100 l/h water (KDS-R)

6.4 Measuring range table

Type	Measuring range	Measuring range for water at 1000 kg/m³ [l/h]	Measuring range for air at 1.013 bars abs [NI/h]	Pressure loss H ₂ O [mbar *] KDS-R	Pressure loss H ₂ O [mbar*] KDS-K/C	Pressure loss H ₂ O [mbar] KDS-S, BGK
KDS-K/C/R	A	0.1-1.0	3 - 30	350	6	6
	B	0.25-2.5	5-50	350	7	7.5
	C	0.6-6.0	18 - 180	350	7	7.5
KDS-S	D	1.0-10	30 - 300	350	10	8
	E	1.6-16	48 - 480	350	12	9
BGK	F	2.5-25	75 - 750	350	17	10
	G	4.0-40	120 - 1200	350	25	11
	H	6.0-60	180 - 1800	350	45	12
	I	10-100	300 - 3000	350	95	15
only KDS-S, BGK	J	16-160	480 - 4800		-	20
	K	20-200	600 - 6000		-	28

*with valve completely open

Additional special flow ranges (for gases only)

Type	Measuring range	Measuring range for water at 1000 kg/m³ [l/h]	Measuring range for air at 1.013 bars abs [NI/h]	Pressure loss H ₂ O [mbar *] KDS-R	Pressure loss H ₂ O [mbar*] KDS-K/C	Pressure loss H ₂ O [mbar] KDS-S, BGK
KDS-K/C/R	L	-	6-60	350	-	7.5
KDS-S	M	-	7-70	350	-	7.5
BGK	N	-	11-110	350	-	7.5

7 Electrical output

7.1 Limit switches

1 or 2 limit switches type NJ1.5-6.5N,

PTB 00 ATEX 2048 X, II 2G Ex ia IIC T6-T4 Gb, II 2D Ex ib IIIC T 135°C Db, -25°C ≤ Ta ≤ 70°C, manufacturer Pepperl & Fuchs, connection with M12 plug

or

1 limit switch type NJ2-11-SN, (safety technology)

PTB 00 ATEX 2049 X, II 2G Ex ia IIC T6-T4 Gb, II 2D Ex ia IIIC T135°C Db, -40°C ≤ Ta ≤ 70°C, manufacturer Pepperl & Fuchs, connection with M12 plug

7.2 Analog output

Type KDS-E, 4-20 mA, current loop, passive; 14-30V;

BVS 12 ATEX E 093 X, IECEx BVS 12.0061X

II 2G Ex ib IIC T4 Gb or II 2D Ex ib IIIC T135°C Db

Load max. 500Ω, connection with M12 plug

8 Measuring accuracy

Reference conditions

Water 20°C (air 20°C)

Measured error

± 3% qG 50 acc. VDI/VDE 3513

System deviation for KDS-R

± 5.0% of URV

Repeatability

± 1.0% of URV

KDS-R regulator

± 1.7% of URV

Influence of ambient temperature

none

8.1 Influence of fluid temperature

Deviations in fluid temperature from the temperature observed during calibration can result in a proportional display fault because of the corresponding change in density. Changes in viscosity cause a non-linear display fault.

9 Conditions of use

The VDI/VDE guidelines must be observed. The meter is suitable for 1) liquid products with sufficient flowability, that are free of solids, do not bond and do not tend to settle, and 2) gases with linear flow behavior and an adequate inlet pressure.

KDS-R: The minimum differential pressure between input and output side must be 350 mbar.

9.1 Mounting/start-up

The variable-area flowmeter must be installed perpendicularly (direction of flow from the bottom to the top).

The size of the product line to be connected must be identical to the size of the device connection. Please make sure that there is adequate clearance from parts that might cause magnetic interferences, such as solenoid valves and ferromagnetic components like steel brackets/supports. We recommend that the minimum lateral distance between two adjacently mounted devices be **300 mm**. The devices can be mounted close together if vertically offset by one device length. The minimum lateral clearance for interfering steel parts should be **200 mm**. In case of doubt, check the interference by moving the device back and forth in the selected distance by about 200 mm and testing whether the pointer position changes.

Select the mounting location so as to enable a reliable reading of the scale values. Please take note as well of the space requirement for any possible disassembly of the device.

To achieve stress-free mounting, the flanges of the pipe must be aligned parallel to each other. Please check whether the pipe is adequately stable to rule out the possibility of vibration or swinging. (Do not use steel mounting parts on the device.)

If there is risk of dirt or solid matter penetrating the process pipes, flush them beforehand so that these materials do not get caught in the device. Ferromagnetic solid matter such as spatter can lead to the breakdown of the device. If these materials are still present during normal operating conditions, mount a magnetic filter (accessory) in front of the device.

When using gases, slowly let the inlet pressure rise to avoid pressure surges. Basically, avoid activation using solenoid valves to prevent the float from shooting upwards.

KDS-S, BGK: Avoid installing a valve directly in front of the device.

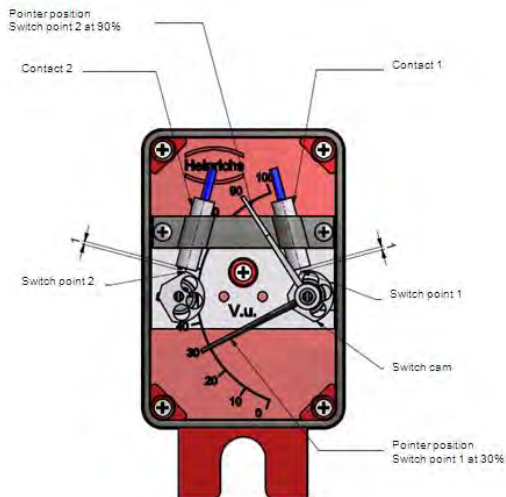
9.1.1 Device setting

The measuring equipment is delivered ready for operation according to your order specifications. **The limit transducers** are set to the desired values. If you have not submitted any requirements, the basic settings are the following:

1 contact device: - Minimum contact switching point at 10% of descending flow (damped/closed-circuit principle)

2 contact devices: Minimum contact switching point at 10% of descending flow and maximum contact switching point at 90% of ascending flow

9.1.2 Switch point setting



Set pointer to the desired switch point and adjust scale. Turn up switch cam so that the edge of the switch cam is located in the center of the diameter of the proximity switch

9.2 Ambient conditions

9.2.1 Ambient temperature ranges

without limit transducer: - 25°C to + 80°C
with limit transducer: - 25°C to + 70°C

9.2.2 Storage temperature

- 25°C to + 80°C

9.2.3 Climatic category

Weather-protected and/or unheated locations, class C according to IEC 654 Part 1

9.2.4 Degree of protection

IP 65

9.2.5 Shock resistance/vibration resistance

The meter should be protected from extreme shocks and vibrations, which could cause damage.

9.2.6 Electromagnetic compatibility

Built-in limit transducer:

In accordance with NAMUR recommendation NE 21 and EN 61326-1:2006

9.3 Fluid conditions

9.3.1 Fluid temperature ranges KDS-S/C/K and BGK

without limit transducer: - 40°C to + 130°C
with limit transducer : - 25°C to + 100°C

9.3.2 Fluid temperature range KDS-R

- 10°C to + 100°C

9.3.3 Fluid pressure limit

KDS-K/C PN 40, special version up to PN 160
KDS-S PN 63, speceial version up to PN 320
BGK PN 40
KDS-R 16 bar, special version up to PN 40

The maximum unilateral pressure resistance of the diaphragm is 7 bar.

9.3.4 Inlet and outlet sections

Inlet and outlet sections are not required for a linear flow profile of the fluid. For a non-linear flow profile, we recommend an inlet section of 150 mm (see also guidelines in accordance with VDI/VDE 3513).

9.3.5 Physical state

Liquid, gaseous

9.3.6 Pressure (for gas measurement)

The measured values only apply to the calibrated fluid data stated on the scale. Any change or deviation in pressure will cause a display fault.

9.3.7 Pressure loss

Depends on the meter size and the measuring range (see 6.4 *Measuring range table*).

10 Construction details, type of construction/dimensions

10.1 KDS-K/C

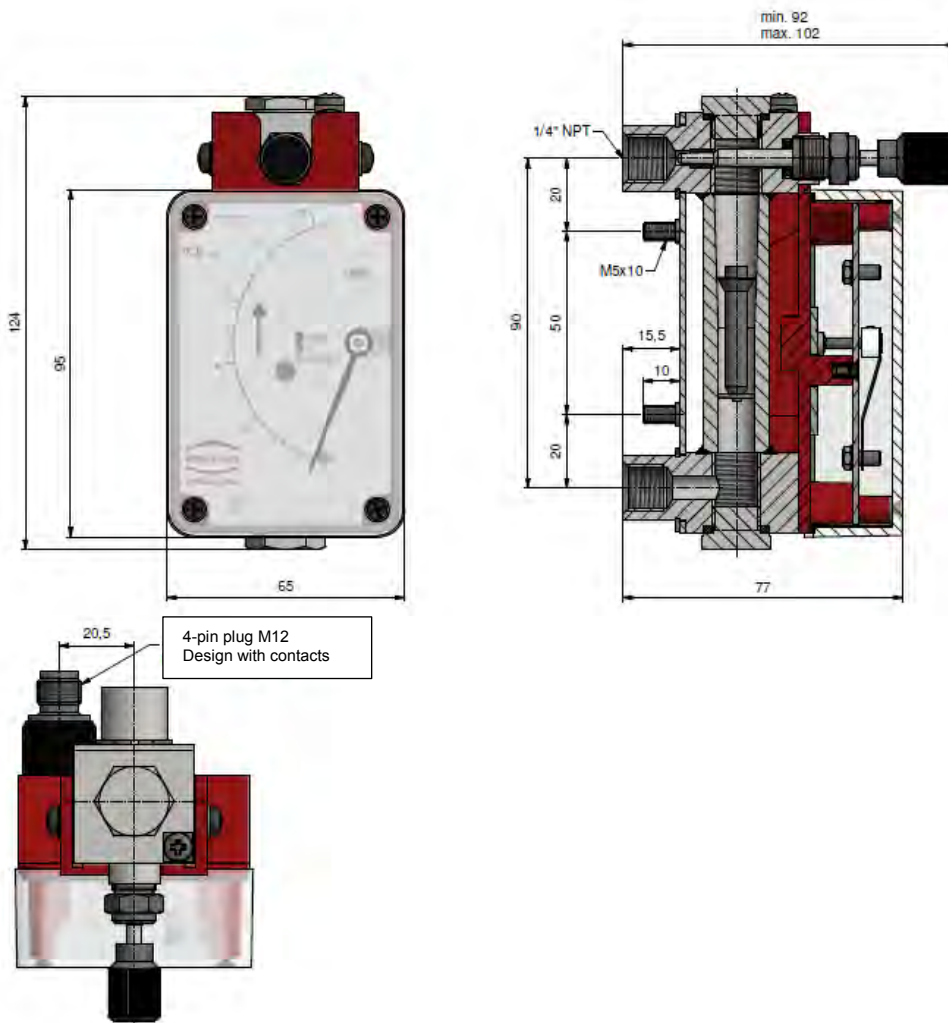
The meter consists of a conical measuring tube with a vertically movable float. All metallic wetted parts are made of 1.4404 (316L) stainless steel.

The measured values are transmitted magnetically to the analog indicator unit mounted on the device.

KDS-K – process connections horizontally towards the back, mounting dimension:

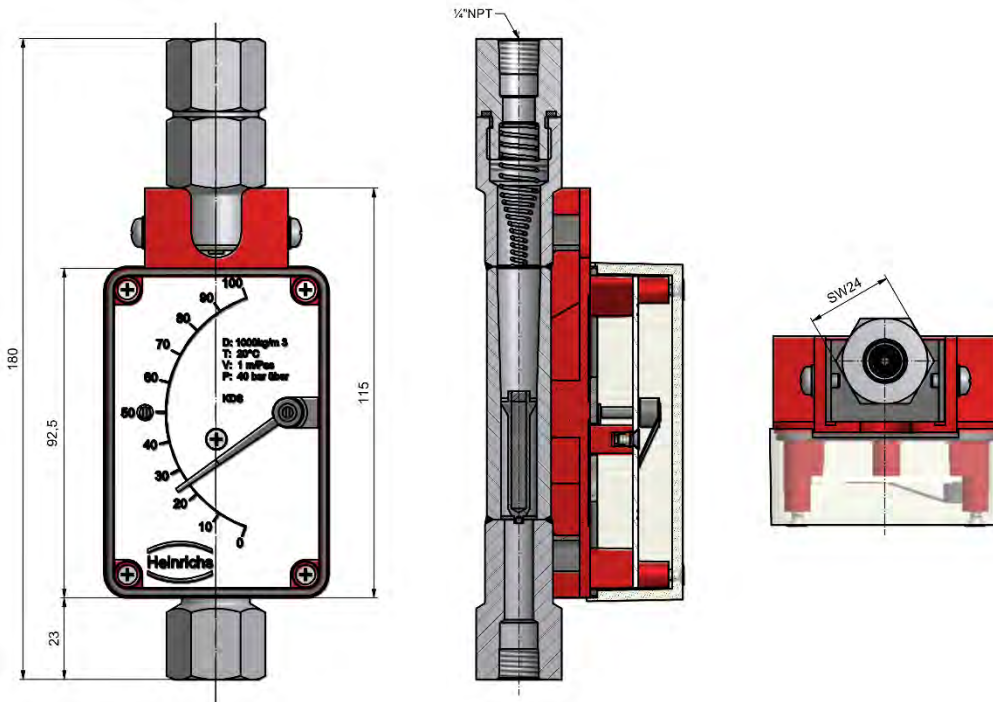
90 mm (NPT 1/4" F connection)

KDS-C – similar to KDS-K, but with bolt for panel mounting



10.2 KDS-S

Process connections vertically at the top/at the bottom, mounting dimension: 180 mm (NPT 1/4" F connection)



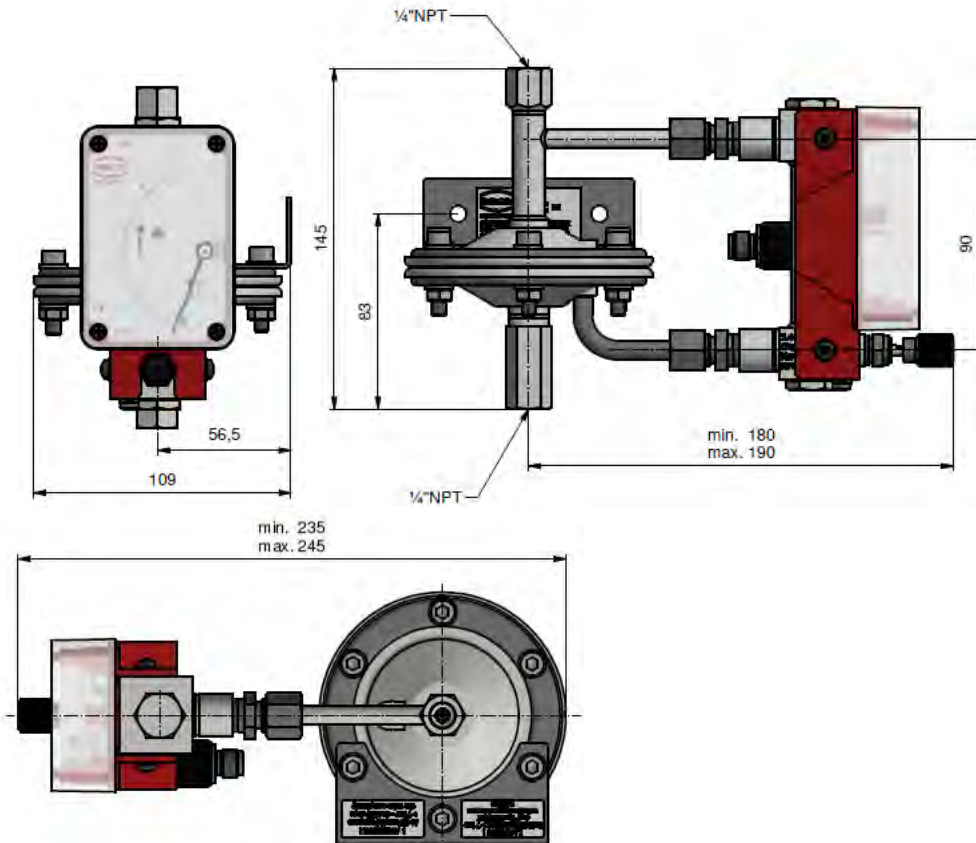
10.3 KDS-R with 1/4" NPT (F) connection as outlet pressure regulator version

The unit consists of a variable-area flowmeter with a setting valve and a differential pressure regulator mounted on the meter.

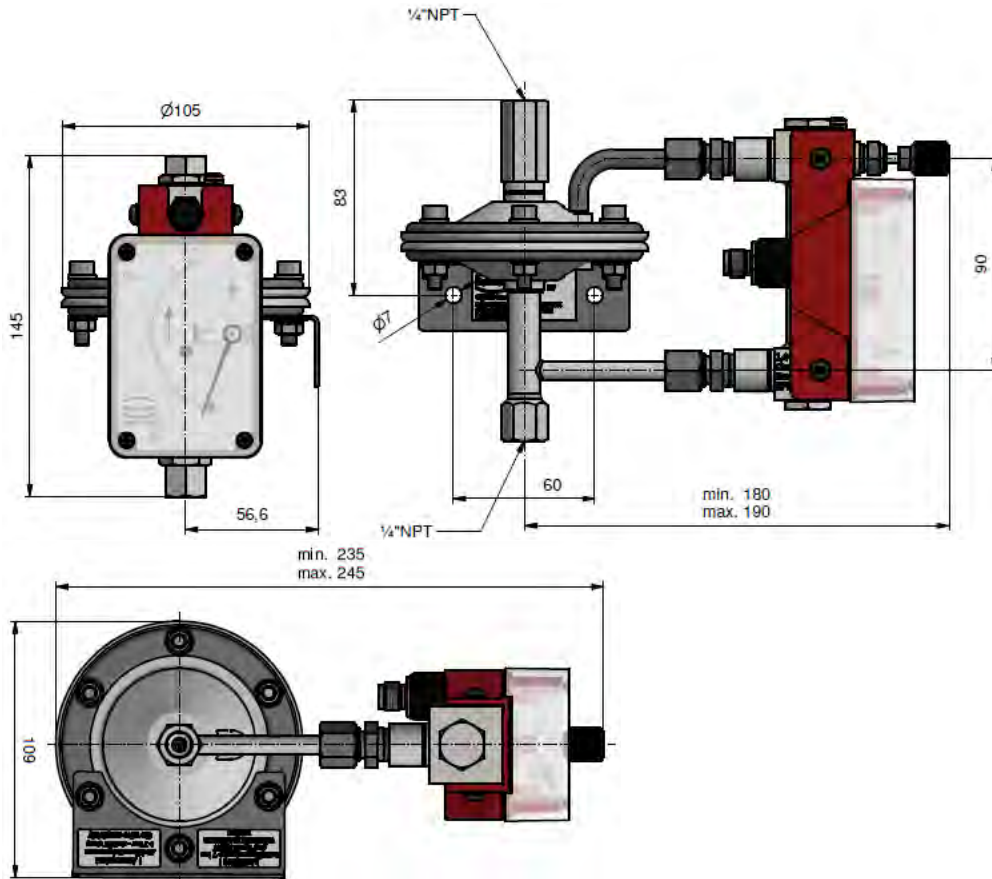
The measured value is displayed on the scale of the analog indicator unit.

The desired flow rate can be set using the built-in valve.

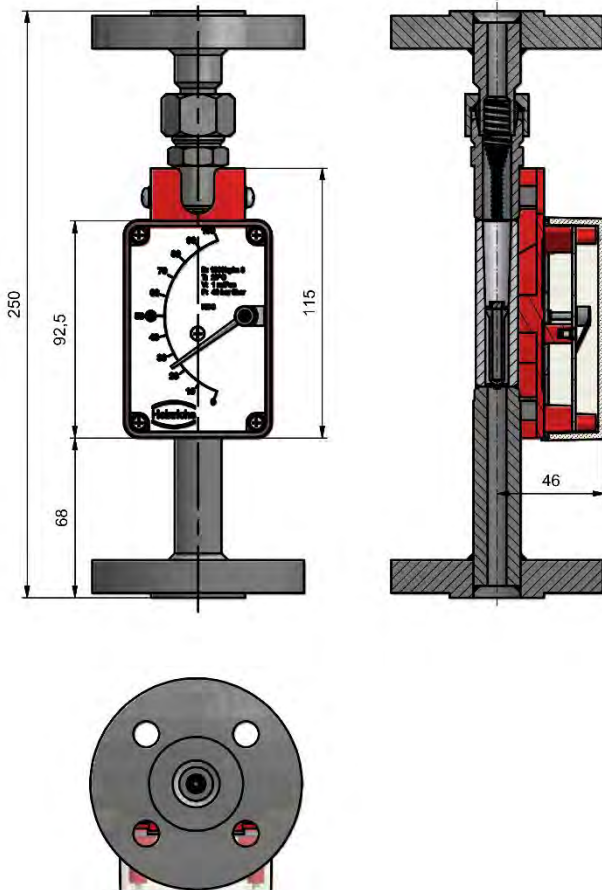
All metallic wetted parts are made of 1.4404 (316L) stainless steel.



10.4 KDS-R with 1/4" NPT (F) connection as inlet pressure regulator version

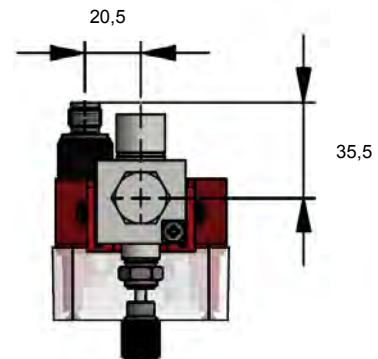
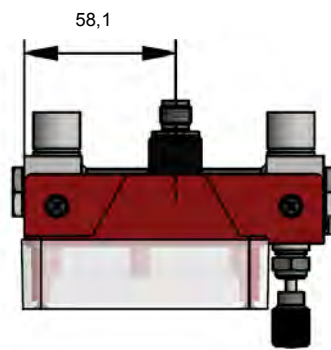


10.5 BGK with flange connection



10.6 KDS / BGK with M12 plug connection

All KDS / BGK devices equipped with electrical contacts are connected via an M12 plug socket.



10.7 Weights

KDS-K/C	650 g
KDS-R	1400 g
KDS-S	620 g
BGK	2400 g

10.8 Materials

- Measuring tube, float, connections: 1.4404 (316L) stainless steel
- Indicator unit: Polyamide
- Indicator cover: Ultramide
- Setting valve: 1.4404 (316L) stainless steel
- Valve sealing: KDS-K/C/R) PTFE
- Tube sealing: KDS-S Viton;
-
- Regulator diaphragm: KDS-R Viton/PTFE

10.9 Process connection

KDS-* 1/4" NPT (F)

Special connections:

Ermeto 6/8/10/12/15 mm,
Swagelok 6/8/10/12 mm,
G 1/4"(M), G 1/2" (M),
Hose connector 1/4" (6.35 mm), available as an adaptor.

Important: The mounting lengths may be different.

Other connections are available a special versions.

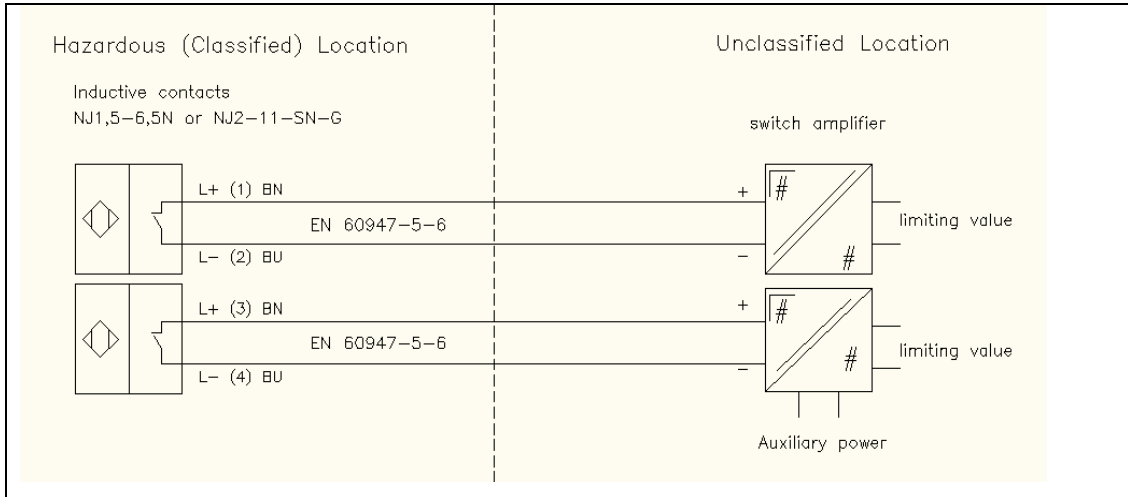
BGK: Flanges: DN15/25, ANSI 3/4", 1"
Other flanges are available as special versions.

11 Available accessories

Docking adapters, Switch amplifier

12 Electrical connection

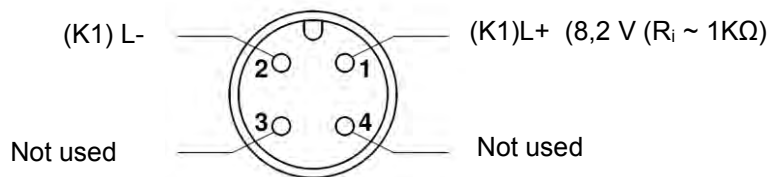
12.1 Wiring diagram for limit transducer



12.2 Connection M12 plug socket

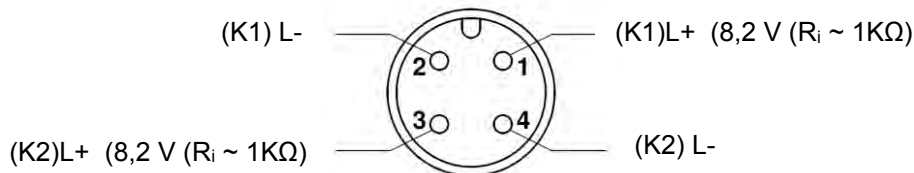
12.2.1 M12 standard configuration 1 x inductive sensor NJ 1.5-6.5-N

Electrical Output	Function	
KEI 1 (NJ 1,5-6,5-N)	Switch (K1) L+ to (K1) L- (Pin2)	Namur Switch



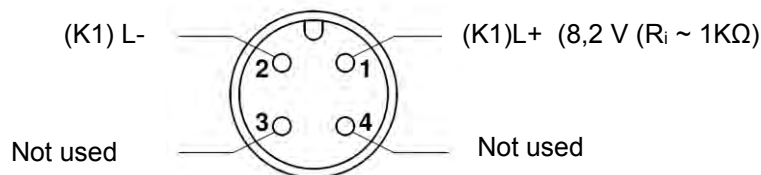
12.2.2 M12 standard configuration 2 x inductive sensors NJ 1.5-6.5-N

Electrical Output	Function	
KEI 2 (NJ 1,5-6,5-N)	Switch (K1) L+ (Pin1) to output (K1) L- (Pin2) Switch (K2) L+ (Pin3) to output (K2) L- (Pin4)	Namur Switch



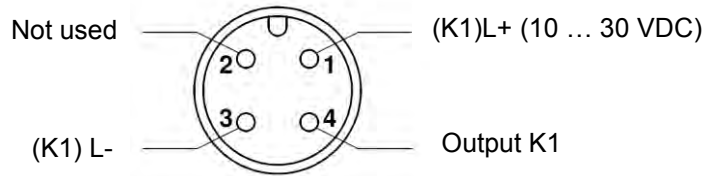
12.2.3 M12 standard configuration 1 x inductive sensor NJ 2-11 SN

Electrical Output	Funktion	
KEI 1 (NJ 2-11-SN)	Switch (K1) L+ to (K1) L- (Pin2)	Namur Switch



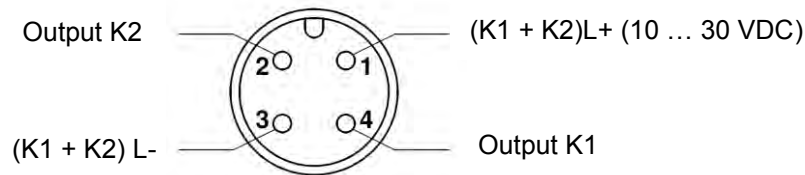
12.2.4 M12 standard configuration 1 x inductive sensor NBB 2-6.5M 30-E2

Electrical Output	Funktion
KEI 1 (NBB 2-6,5M 30-E2)	(K1) L+(Pin 1) (K1) L-(Pin 3) (K1) output (Pin 4) 3 – wire - PNP



12.2.5 M12 standard configuration 2 x inductive sensors NBB 2-6.5M 30-E2

Electrical Output	Funktion
KEI 2 (NBB 2-6,5M 30-E2)	(K1 + K2) L+(Pin 1) (K1 + K2) L-(Pin 3) (K1) output (Pin 4) (K2) output (Pin 2) 3 – wire – PNP (2 Contacts)



13 Indicator unit

- Analogue indicator approx. 160° with pointer
- Customized product scale

14 Auxiliary power for limit switch

Inductive sensor	NJ 1.5-6.5 N:	8.2 V (R _i approx. 1 kΩ)
Inductive sensor	NJ 2-11 SN:	8.2 V (R _i approx. 1 kΩ)
Inductive sensor	NBB 2-6.5M 30-E2:	10...30 VDC

Via an isolating amplifier.

Be available as an accessory for 24/115/230 VAC and 24 VDC.

15 Analog output 4-20 mA

15.1 Measuring principle

The position of the float is transmitted to the pointer axle by means of a magnetic system. The KDSE measures the field of a magnet mounted on the pointers axle and generates an output current of 4 to 20 mA from it.

15.2 System configuration

KDS-E possesses a passive 4 to 20 mA loop powered analogue output. Therefore the voltage at terminals (plug) must never fall short of 14 V DC. The 4 to 20 mA output is linearized and corresponds to the indication scale. Thus the accuracy of the analog output is not influenced by any non-linear function of the float.



15.3 Measured variable

The position of the float is transmitted to the pointer axle by means of a magnetic system. The KDS-E measures the magnet field of a magnet -mounted on the pointer axle- and generates a current output of 4 to 20 mA. As the pointer scale is non-linear - the analog output is linearized with max. 16 interpolation points not to have an effect on the meter accuracy.

15.4 Parameters

Power supply none, 2 wires current loop 4 – 20 mA (passive)
 minimum voltage 14 V DC, maximum voltage 30 V DC
 Input power < 0.65 VA
 Load: 500Ω

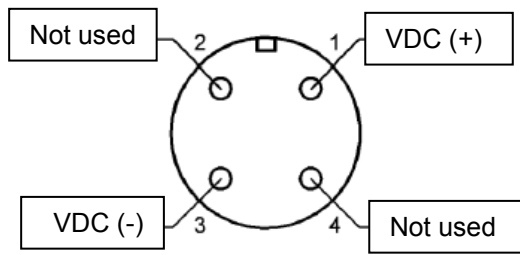
The maximum load is calculated according to the formula:

$$R_{max} = \frac{U - 14V}{22mA} \leq 500\Omega$$

Damping : 1 second, fixed
 Influence T_{Environment} ± 0,05% per 10K

15.5 Electrical connection

The transmitter is connected by a reverse polarity protected 4-pole M12 plug (A coding).



16 Use in hazardous areas

Only devices with ex marking may be operated within explosive atmospheres areas.



16.1 Atmospheric conditions

In accordance with EN 1127, a “potentially explosive atmosphere“ is defined as a mixture of air and combustible gases, vapors, mist or dust under atmospheric conditions. Such conditions are defined in EN 13463-1, para. 1, with values $T_{atm} = -20\text{ °C}$ to $+60\text{ °C}$ and $P_{atm} = 0.8$ to 1.1 bar. Outside this range, safety parameters for most ignition sources are not available.

Usually, variable-area flow meters operate under operating conditions outside the atmospheric conditions of 0.8 to 1.1 bar. Irrespective of the zone classification –safety parameters of explosion protection – are basically not applicable to the inside of the measuring tube.

Therefore operation with combustible products is only allowed if a potentially explosive air mixture is not formed inside the flow meter. Where this condition is not met, the operator will need to assess the ignition hazard in each individual case and give due consideration to existing parameters (e.g. pressure, temperature, process product, materials of construction for the measuring tube).

16.2 Electrostatic charge of non-conductive parts



In hazardous areas of protection class IIC pay attention to the risk of the electrostatic charge in dangerous quantities during cleaning work of the plastic parts of the enclosure.

Devices where explosive electrostatic charges can be expected to be generated due to cleaning action are marked with an adhesive label.

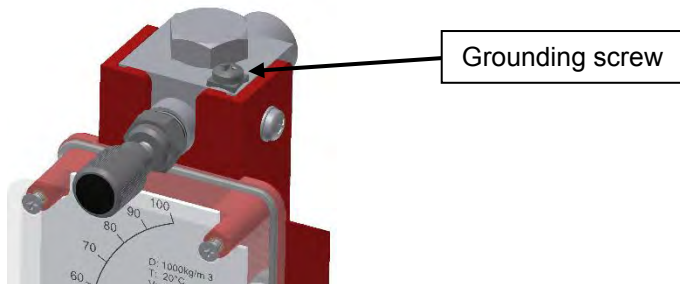
WARNUNG- / WARNING-
 Gefahr elektrostatischer
 Aufladung! Nicht reiben!
 Danger of electrostatic charge!
 Do not rub!

16.3 Ground connection



In variable-area flow meters, it is possible under operating conditions for charge separation to occur in the measuring tube due to the transport of non-conductive fluids and/or when the flow comes into contact with non-conductive internals (e.g. liners, floats). For that reason, variable-area flow meters must be permanently grounded by the operator by way of the process connections (flanges) in order to discharge electrostatic build-up. The operator is also responsible for extending the ground continuity of the process pipeline.

If grounding cannot be made via the process connections (plastic process connections or undefined connections), the flow meter must be connected to the local ground potential via the flanges. This connection only ensures electrostatic grounding of the device and does not meet the requirements for equipotential bonding.



16.4 Mechanical strength

The flow meters have undergone an impact test to EN 13463-1 for a low level of mechanical hazard. Additional protective measures are required if there is a higher mechanical hazard level.

16.5 Without electrical equipment

The basic version of the flow meter is a non-electrical device without its own ignition source and meets DIN EN 13463-1 requirements. It can be used in hazardous areas that require Category 2 equipment.

Marking: II 2GD c IIC
 Tech. File Ref. 03-01 X
 BVS 03 ATEX H-B 113

Since the device does not have its own power sources that would result in a temperature increase, the fluid temperature is decisive for the maximum surface temperature.

When used in potentially explosive dust atmospheres, the device must be cleaned regularly to avoid deposits exceeding 5 mm


16.6 With integrated electrical sensors

When the electrical sensors are installed, the device becomes an electrical assembly and receives the additional markings off the built in sensors in accordance with DIN EN 60079.

The electrical and thermal data, depending on the fluid temperature and ambient temperature, and the specific conditions of the EC-Type Examination Certificate of the built-in sensor must to be considered. See the example below.

16.6.1 With limit transducer

When the limit transducer is installed, the device becomes an electrical assembly. The installed limit transducer of the company Pepperl & Fuchs is certified for the use in a explosive gas environment and for the use in a explosive dust environment by **PTB 00 ATEX 2048 X** EC Type Examination Certificate. The electrical and thermal data and the special conditions of these EC Type Examination Certificates must be observed.

Marking on the cable of the limit transducer:		PTB 00 ATEX 2048 X
		II 2G Ex ia IIC T6-T1 Gb
		PTB 00 ATEX 2048 X
		II 2D Ex ib IIIC T135°C Db

16.6.2 Analog output 4-20mA

Type KDSE, 4-20 mA, current loop, passiv; 14-30V
BVS 12 ATEX E 093 X and IECEx BVS 12.0061X
II 2G Ex ib IIC T4 Gb bzw. II 2D Ex ib IIIC T135°C Db
Load max. 500Ω, connection with M12 plug



When using the device in hazardous areas please read the explosion supplementary instructions of the electronic module type KDSE. This includes all ex-relevant parameters and special conditions for safe use.

16.6.3 Depending on the fluid and ambient temperature

The influence of the fluid temperature on the built-in limit transducer must be observed. The excessive Temperature of the maximum fluid temperature based on the maximum ambient temperature must be considered with a factor of **0.4**.

Example of integrated limit switches:

Max. ambient temperature: $T_{amb} = 40^{\circ}\text{C}$
Max. fluid temperature: $T_m = 90^{\circ}\text{C}$
Temperature class: T4

$T_{\bar{u}}$ = excessive Temperature

T_a = Ambient temperature of the limit switches

$$T_{\bar{u}} = T_m - T_{amb} = 90^{\circ}\text{C} - 40^{\circ}\text{C} = 50^{\circ}\text{C}$$

$$T_a = T_{\bar{u}} \cdot 0,4 + T_{amb} = 50^{\circ}\text{C} \cdot 0,4 + 40^{\circ}\text{C} = \mathbf{60^{\circ}\text{C}}$$

In accordance with the tables in the PTB 00 ATEX 2048 X EC Type Examination Certificate, the NJ 1,5-6,5 N... inductive sensor must be operated in the T4 temperature class with an intrinsically safe circuit that does not exceed the maximum values of the Type 3 circuit.

17 CE mark

The measuring system meets the statutory requirements of the following EU directives: *Directive 2014/34/EU* (Equipment and Protective Systems for Use in Potentially Explosive Atmospheres) and Electromagnetic Compatibility (EMC) *Directive 2014/30/EU*.

With respect to the Pressure Equipment *Directive 2014/68/EU*, the devices fall within the scope of application of Article 4, Section 3, and need no CE mark in accordance with this directive. Heinrichs Messtechnik confirms compliance with the directives by attaching the CE mark.

18 Standards and directives

- Certified to DIN-EN 9001:2008
- Production in accordance with AD 2000 guidelines and HPO approval (TRB200/TRD201)
- TÜV approval for welding requirements in accordance with EN ISO 3834-3:
- Measuring range rated and converted to other products according to guidelines VDE/VDI 3513

- Directive 2014/34/EU (Equipment and Protective Systems for Use in Potentially Explosive Atmospheres)
- EN 13463-1 Non-electrical equipment for use in potentially explosive atmospheres – Basic method and requirements
- DIN EN 13463-5 Non-electrical equipment for use in potentially explosive atmospheres – Protection by constructional safety “c”
- EN 60079-0 - General requirements
- EN 60079-11 - Intrinsic safety „i”

- Directive 2014/30/EU (EMC Directive)
- EN 61000-6-2 - Immunity industrial environment
- EN 61000-6-3 - Emitted interference residential environment
- EN 55011 - Group 1, Class B
- NAMUR recommendation NE 21

- EN 60529 - Degrees of protection through housing (IP code)
- EN 61010 - Safety requirements for electrical measuring, control and laboratory devices
- EN 60947-5-6 - Low-voltage switchgear and controlgear

- Directive 2014/68/EU (Pressure Equipment Directive)

19 Order information

Please include the following information in your order:

Product data, specific weight, temperature, pressure, viscosity, material design, connection size, measuring range, desired accessories, required approvals and material certificates

20 Maintenance

The device requires no maintenance if used according to its intended purpose. However, if cleaning is necessary to remove dirt from the measuring ring or the float, take note of the following aspects:

- Before removing a device, make sure that the pipeline is free of the product, is pressureless and has cooled down.
- Fittings with the insides coated may be carefully cleaned after removal with a brush and the appropriate cleansing agent.

21 Trouble shooting

- **Device shows incorrect values:** Compare process data, density, viscosity, temperature and pressure with the values on the scale. If they deviate, convert the scale values using the VDE/VDI 3513 standard.
- **Pointer does not react in spite of varying flow:** The pointer may have gotten stuck; remove the cover and move the pointer; if the pointer can be moved easily, the float cannot move. If the pointer is unable to move further, send the device to the head office for servicing.
- **The float is stuck at one place due to dirt:** Disassemble the device. If necessary, dismantle and clean the float. Install a magnetic filter if there are magnetic contaminants.
- **Electrical equipment are not functioning:** Check the auxiliary power. Are suitable power supply equipment connected, have the terminals been selected correctly, has the parameterization carried out correctly?

22 Decontamination certificate for device cleaning

Company:

City:

Department:

Name:

Tel:

This variable-area flowmeter

Type KDS- BGK-.....

was operated using the measured medium.....

Since this measured medium is dangerous in water/poisonous/corrosive/flammable,
we have

- checked that all hollow spaces of the device are free of these materials*
- neutralized and flushed all hollow spaces of the device*

*cross out what is not applicable.

We hereby confirm that in resending the device no danger to persons or the environment is posed by the residual measured substance.

Date:

Signature:

Stamp

23 EC Type Examination Certificate of the inductive sensor

See our homepage:

http://www.heinrichs.eu/uploads/tx_rsbproductdownload/PTB-00-ATEX-2048-X_5N-EN_02.pdf

24 Declaration of Conformity NJ1,5-6,5-N

See our homepage:

http://www.heinrichs.eu/uploads/tx_rsbproductdownload/doc1447_01.pdf

25 Declaration of Conformity NJ2-11-SN

See our homepage:

http://www.heinrichs.eu/uploads/tx_rsbproductdownload/doc1756_01.pdf

26 Declaration of conformity



Konformitätserklärung Declaration of Conformity

Nº. 16.4156.01

Hersteller: Heinrichs Messtechnik GmbH
Manufacturer: Robert-Perthel-Strasse 9
50739 Köln

Produktbeschreibung: **Schwebekörper-Durchflussmessgerät vom Typ KDS und BGK**
Product description: **Variable Area Flowmeter Model KDS and BGK**

Hiermit erklären wir, in alleiniger Verantwortung, dass das oben genannte Messsystem den Anforderungen der folgenden EU-Richtlinien, einschließlich allen bis heute veröffentlichten Änderungen bzw. Nachträgen entspricht:

We declare herewith, in sole responsibility, that the product described above is conform with the provisions of the following EU-directives, including all published changes and amendments as of today:

- | | |
|--------------------------|---|
| 2014/30/EU (EMC) | EU-Richtlinie über die Elektromagnetische Verträglichkeit
<i>EU-Directive relating to electromagnetic compatibility</i> |
| 2014/34/EU (ATEX) | EU-Richtlinie über Geräte zur Bestimmungsgemäße Verwendung in explosionsgefährdeten Bereichen.
<i>EU-Directive relating to electrical equipment intended for use in potentially explosive atmospheres</i> |
| 2014/35/EU (LVD) | EU-Richtlinie über die Bereitstellung elektrischer Betriebsmittel zur Verwendung innerhalb bestimmter Spannungsgrenzen auf dem Markt
<i>EU-Directive relating to the making available on the market of electrical equipment designed for use within certain voltage limits</i> |

Anhang N und X sind ein integraler Bestandteil dieser Erklärung
Annex N and X are an integral part of this declaration

Köln, den 02.09.2016

Frank Schramm
(Geschäftsführung / General Manager)

Kontakt :
Contact:

Tel: +49 (221) 49708-0
Email: info@heinrichs.eu
Web: www.heinrichs.eu



Anhang N zur Konformitätserklärung Annex N of the Declaration of Conformity

Nº. 16.4156.01

Produktbeschreibung: **Schwebekörper-Durchflussmessgerät vom Typ KDS und BGK**
 Product description: **BGK**
Variable Area Flowmeter Model KDS and BGK

Die Konformität mit den auf Seite 1 genannten Richtlinien diese Erklärung wird nachgewiesen durch die Einhaltung folgenden Normen (gegebenenfalls abhängig von Gerätvariante):

Conformity to the Directives referred to on Page 1 of this Declaration is assured through the application of the following standards (possibly dependent on version of device):

X: Zutreffende Norm / Applicable Standard

Richtlinie Directive	Norm –Ref. Nr. Standard / Ref. Nº.	Ausgabe Edition	Norm Beschreibung Standard Description	KDS(E)	KDS	BGK
	DIN EN -					
2014/30/EU	61000-6-2	2011	Immunity Industrial environment	X		
	61000-6-3	2012	Emission residential environment	X		
	55011	2011	Radio frequency disturbance	X		
	61326-1	2011	EMC requirements	X		
2014/34/EU	60079-0	2012+A11	General requirements	X		
	60079-11	2012	Intrinsic Safety „i“	X		
	13463-1	2009-07	General requirements non electrical devices		X	X
	13463-5	2011	Protection by constructional safety „c“		X	X
2014/35/EU	61010-1	2011	Safety requirements	X		

Name und Anschrift der benannten Stelle / Name and address of the Notified Body

TÜV-SÜD-Industrie Service GmbH
 TÜV SÜD Gruppe
 Westendstraße 193
 D-80686 München

DEKRA EXAM GmbH
 Carl-Beyling-Haus
 Dinnendahlstraße 9
 D-44809 Bochum
 ID-Nr. / ID-Nº.: RL 2014/34/EU: 0158





Anhang X zur Konformitätserklärung Annex X of the Declaration of Conformity

Nº. 16.4156.01

Produktbeschreibung: **Schwebekörper-Durchflussmessgerät vom Typ KDS und BGK**
Product description: **BGK**
Variable Area Flowmeter Model KDS and BGK

Geräte Zulassungen / Device certifications

EG-Baumusterprüfbescheinigung <i>EC-type examination certificate</i>	Nachtrag <i>Supplement</i>	Kennzeichnung <i>Marking</i>	KDS(E)	KDS	BGK
BVS 12 ATEX E 093 X	0	II 2G	X		
	0	II 2 D	X		
BVS 03 ATEX H/B 113	1	II 2GD c		X	X
<i>Tech. File Ref.</i>	-	03-01 X		X	X

X: Zutreffende Norm / Applicable Standard

Konformitätserklärungen für die als Option verwendeten Schalter werden von der Hersteller auf deren Homepage bereitgestellt.

For proximity switches offered as an option in conjunction with the above-mentioned products, the Declarations of Conformity are provided by the switch manufacturer on their homepage.

Die oben genannten Produkte entsprechen der Richtlinie 2014/34/EU. Neue Editionen können bereits eine oder mehrere der in den jeweiligen EG-Baumusterprüfbescheinigungen genannten Normen ersetzt haben.

Der Hersteller erklärt, dass alle in dieser Konformitätserklärung erwähnt Produkte auch die Anforderungen der neuen Ausgaben einhalten, da die veränderten Anforderungen der neuen Ausgaben entweder keinen Einfluss auf das Produkt haben, oder das Produkt die Anforderungen erfüllt.

The above-mentioned products comply with the Directive 2014/34/EU. New editions may have already replaced one or more of the Standards stated in the respective EC-Type-examination certificates. The manufacturer declares that all products mentioned in this Declaration of Conformity also comply with the requirements of the new editions since either the changed requirements of the new editions do not affect the product, or the product also fulfills the requirements.

27 Own notes