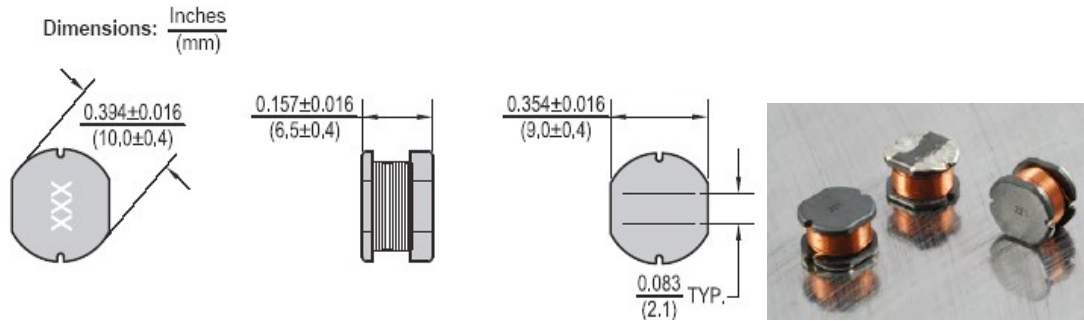




Power Flat Shielded Inductor PF1006



Wilco Part Number	Inductance (uh)	Tolerance (%)	Test Freq.	DCR Max	IDC (mAmps)
PF1006-602K-LF	6000	10	1KHz 1V	14	270
PF1005-822K-LF	8200	10	1KHz 1V	50	200

Features: Unshielded, low cost design, high current applications, Excellent for DC-DC converter applications,

Physical: packaging 500 pieces per 13 inch reel marking EIA inductance code

Electrical: operating temp. -40C to 85C rated current inductance drop 10% typical

Resistance to Soldering Heat: pre-heat 150C 1 min solder temp. 260C +/- 5C immersion time 10 sec +/- 1 sec solder composition Sn/Ag3.0/Cu0.5

Wilco Corporation 5352 West 79th Street Indianapolis IN 46268
 800-611-2343 Fax 317-228-9340 wilcosales@wilcocorp.com
www.wilcocorp.com