

MAGSTRIPE

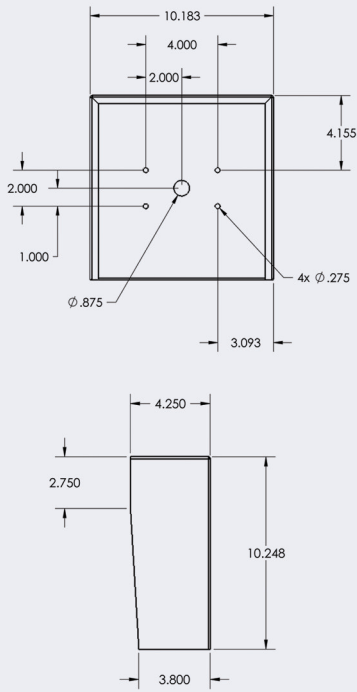
Reader

Access Terminal



Amano McGann Magnetic Stripe Technology readers are ideal for mixed-use facilities accommodating monthly contract, hotel, valet, temporary, event and visitor parking. Magnetic stripe technology provides the flexibility to read standard plastic cards, or economical paper passes for temporary or short-term use. Amano McGann software applications provide expanded access control options and reporting for debit or value card programs, credit card acceptance, one-time-use, and auto-activation solutions.

Reader
MAGSTRIPE



FEATURES

- Micro-controller driven technology* ◀
 - 1000 transaction off-line buffer* ◀
 - Real-time clock with battery backup* ◀
 - Magnetic Stripe reader head provides reliable processing* ◀
 - Supports Low coercivity (LoCo) and High coercivity (HiCo) cards* ◀
 - Supports ISO, JIS and Custom formats** ◀
 - Standard Track II read head configuration* ◀
 - Optional Track I and Track III configurations available* ◀
 - Automatic switch to standalone mode if communication are interrupted* ◀
 - Built-in diagnostics test reader performance* ◀
 - Remote control of gates and peripheral device from Amano McGann Software* ◀
 - Hard, soft, true or timed anti-passback* ◀
 - Reader can accommodate 65,000 to 1 million card IDs based on format* ◀
 - LCD display w/LED backlight* ◀
 - Optional Intercom* ◀
- * Custom firmware required

STANDARD CONFIGURATION

MAGNETIC STRIPE

10x10 Enclosure

CUSTOM OPTIONS

MAGNETIC STRIPE CUSTOM FORMAT/TYPE

Track I Track II Track III Custom _____

DISPLAY OPTION

Standard Display: 2-Line/20 Character 3.2"W x .7"H (Character Size .13"W x .22"H)
 Large Display: 2-Line/20 Character 5.5"W x .75"H (Character Size .24"W x .38"H)

INTERCOM OPTION

Std. Intercom Speaker/Button Custom Dial-up Custom _____

FIRMWARE

Standard JIS Credit Card Custom _____

ENCLOSURE

Standard 10x10 Custom _____

ENCLOSURE COLOR

White Silver Custom _____

ENCLOSURE GRAPHICS

Standard Custom _____

SYSTEM CODE

New Existing System Match _____

SPECIAL REQUIREMENTS

Custom _____

SPECIFICATIONS

ENCLOSURE DIMENSIONS

10"L x 10"H x 4 1/4"D

WEIGHT

8 lb. (approx)

POWER

120 VAC (12 VAC 800mA) power supply Optional heater supply

MOUNTING

Pedestal, wall mount, or counter mount

OPERATING TEMPERATURE

-20° to 140°F/-30° to 60°C

HUMIDITY

95% non-condensing

READER TECHNOLOGY

Magnetic Stripe/track II weather resistant
 Options for proximity, AVI, contactless smart card and barcode

FORMATS

Track II standard Options: Track I and III

SERVICE ACCESS

Front panel security screws for technician access

Specifications are approximate and are subject to change without notice.

REPRESENTED BY:

AMANO McGANN®

*Corporate Headquarters 651 Taft Street NE, Minneapolis, MN 55413
 Tel: (612) 331-2020 www.amanomcgann.com*