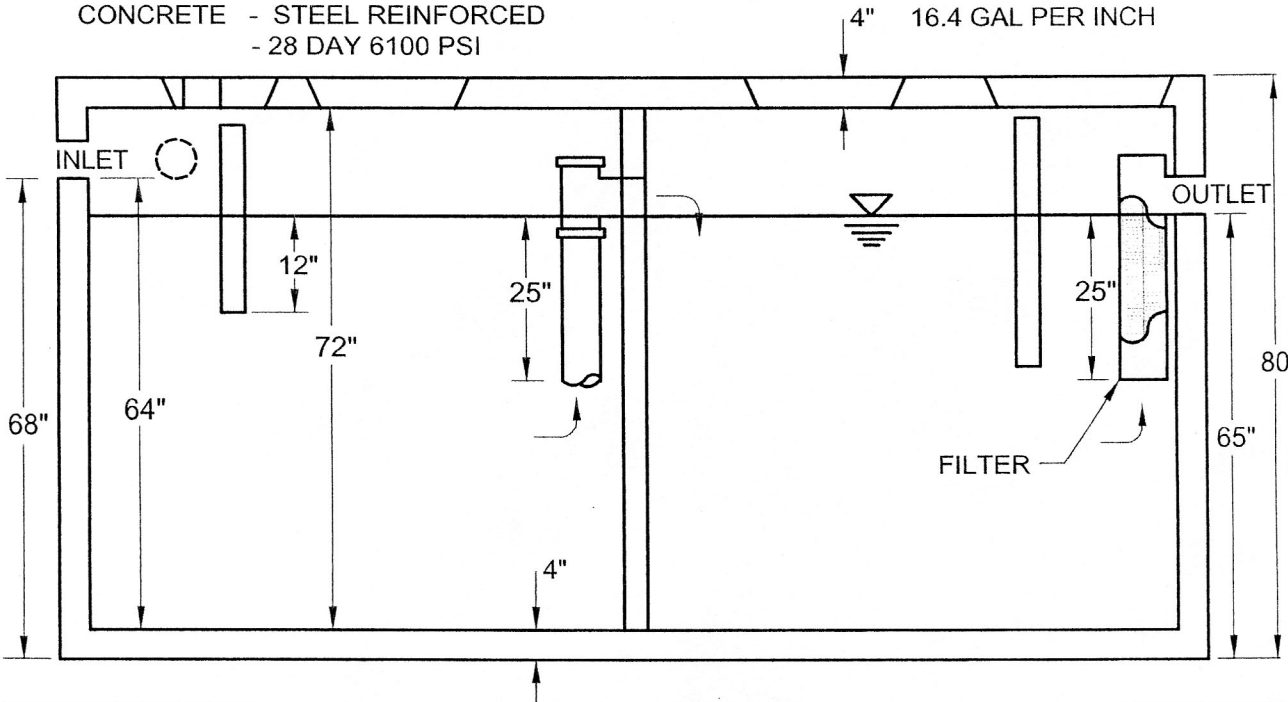


BAFFLE - CAST IN PLACE  
 PIPE SEALS - HIGH PRESSURE BOOT  
 TANK SEAL - FEDERAL SPEC. ASTM C990  
 CONCRETE - STEEL REINFORCED  
 - 28 DAY 6100 PSI

EACH CHAMBER  
 1000 GAL  
 16.4 GAL PER INCH



## Concrete 2000 gal. Septic Tank With Effluent Filter

***Lycoming, A division of Lycoming Burial Vault Co., Inc.***

***350 Spruce Street Montoursville, PA 17754***

***Phone: (570) 368-8642 Toll Free: (800) 640-0052 Fax: (570) 368-2299***

*Drawn by: Wentz & Webster Engineering 11/21/08*

