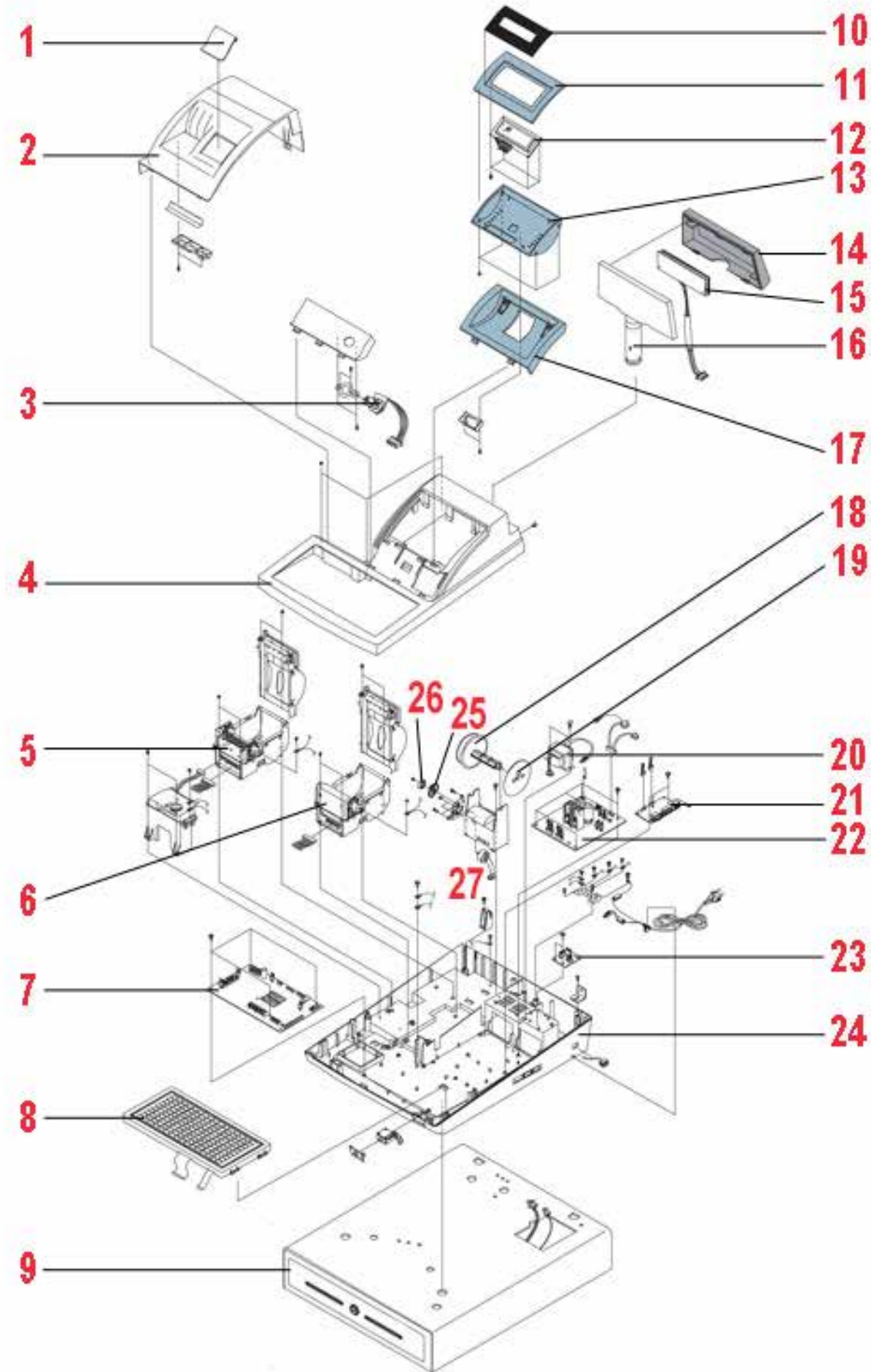


# ER-5200M Series Replacement Parts



Ref. No.	CRS Item No.	Description
01	101300	Journal Window ER-5200,15,40
02	102258	Cover, Printer 5200/7000 N/S
03	300537	Samsung Control Lock
04	102260	Case, Upper 7000/5200/5115 N/S
05	501327	Printer Assy STM-210
06	501327	Printer Assy STM-210
07	501505	Logic Board 5200M,15M,40M
08	500995	Keyboard Assy 5215M N/S
08	500983	Keybrd Assy 4900/51/52/65/70
08	500981	Keybrd Asy 4940/65/51/52/70
09	160257	Drawer Model 57 ECR Ivory 24V
10	102148	Front Windw View 5200M,15M,40M
11	102140	Front Display Window SER-7000
12	501504	Front Lcd 2 Line 52M,380M,390M
13	102142	Front Display Window Rear 7000

Ref. No.	CRS Item No.	Description
14	102018	Window Turret 5100/5140
15	501450	Display Rear PCB 650/5200M
16	102017	Turret Body ER-5100
17	102143	Case F.dis Win Bot 7000/5200M
18	101308	Spool Winding ER-5200,15,40
19	101309	Guide Winding ER-5200,15,40
20	202987	Transformr 650/52/52M/650R/70
21	501343	Dual Serial Interface ER-52Xx
22	501348	PBA Sub Power ER-5200
23	501349	PBA Sub-Power Sw ER-5200,15,40
24	101310	Case Lower ER-5200,15,40
25	101314	Gear Spool ER-5100,15,40
26	101313	Rubber Spool ER-5200M/15M/40M
27	465078	Motor Spool Assy ER-5200,15,40