

DH-HAC-HFW1200SN

2Megapixel 1080P Water-proof Mini IR HDCVI Camera



Features

- 1/2.7" 2Megapixel CMOS
- 30fps@1080P
- High speed, long distance real-time transmission
- Day/Night(ICR), AWB, AGC, BLC, 2D-DNR
- 3.6mm fixed lens (6mm, 8mm optional)
- Max. IR LEDs length 30m, Smart IR
- IP66, DC12V

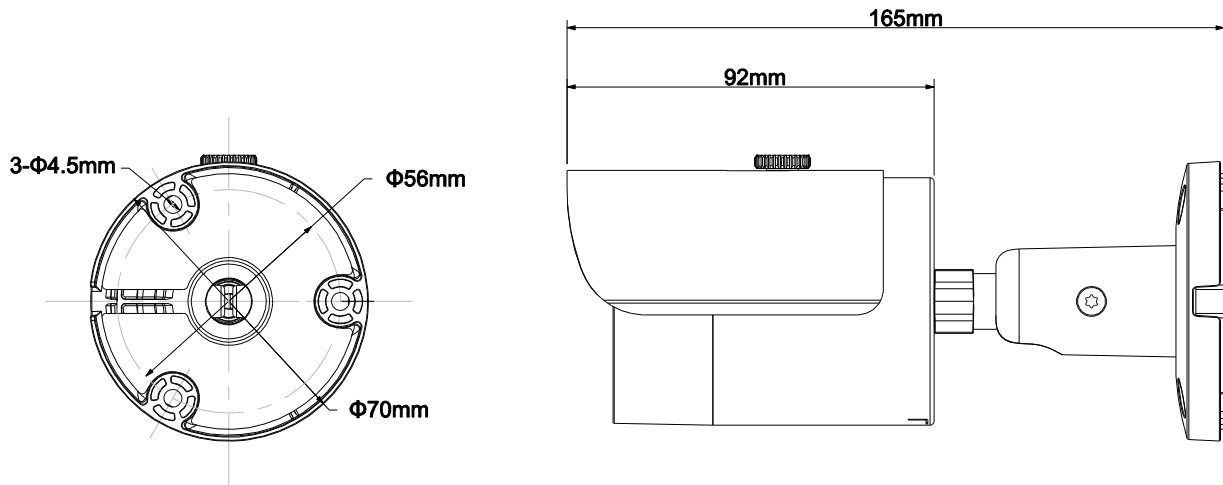
DH-HAC-HFW1200SN

Technical Specifications

Model	DH-HAC-HFW1200SN
Camera	
Image Sensor	1/2.7" 2Megapixel CMOS
Effective Pixels	1930(H)×1088(V)
Electronic Shutter	1/60s~1/100,000s
Video Frame Rate	30fps@1080P
Synchronization	Internal
Min. Illumination	0.01Lux@F1.2(AGC ON), 0Lux IR on
Video Output	1-channel BNC HDCVI high definition video output
Camera Features	
Max. IR LEDs Length	30m, Smart IR
Day/Night	Auto(ICR) / Color / B/W
Noise Reduction	2D
Lens	
Focal length	3.6mm (6mm, 8mm optional)
Angle of View	H: 80.6° (57.55° /43.45°)
Mount Type	M12
General	
Power Supply	DC12V±20%
Power Consumption	Max 3.6W
Working Environment	-30°C~+60°C / Less than 95%RH (no condensation)
Transmission Distance	Over 300m via 75-3 coaxial cable
Ingress Protection	IP66
Dimensions(W×D×H)	Φ70mm×165mm
Weight	0.35kg
Others	Default: bracket included
Material	Metal (body) + Plastic (sun shield)

DH-HAC-HFW1200SN

Dimensions (mm)



Accessories (optional)



Dahua Technology USA Inc.

23 Hubble, Irvine Spectrum, CA92618, USA

Tel: +001-949 679 7777

Fax: +001-949 679 5760

Email: support.usa@dahuatech.com

www.dahuatech.us

*Design and specifications are subject to change without notice.

© 2013 Dahua Technology Co., Ltd.