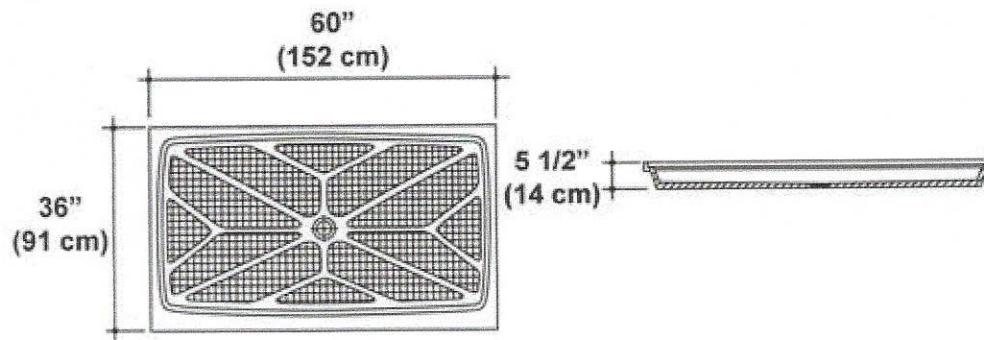


1051-10: T60" x 36"



Description/Order No (#)

Male

1051-10 Shower Pan T60" x 36" - #23060

Female

F-1051-10 Shower Pan - #430608

F-1051-10 Turtle - #4306081

Lightweight Female 1/2"

F-1051-10 Combo Insert - #430609

Cast Weight Specs: Gross Weight = 281 lb; Net Weight (w/ Insert) = 194 lb; Net Weight (w/ Turtle) = 155 lb