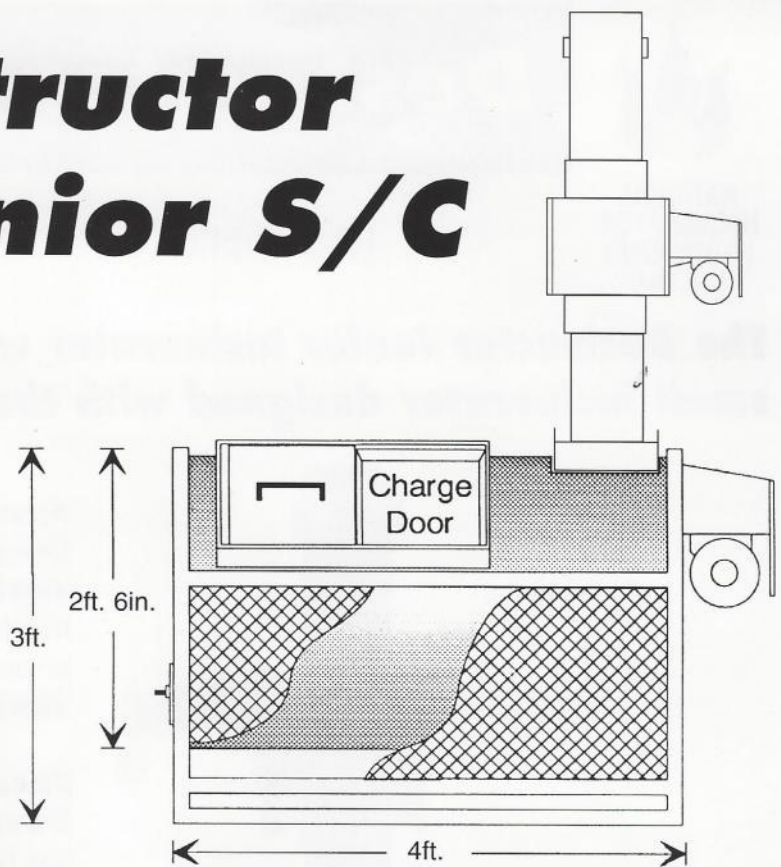
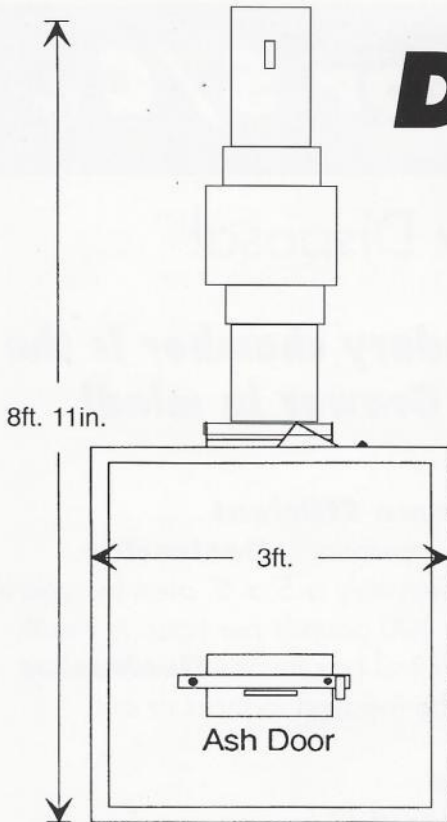


Destructor Junior S/C



Electrical & Gas Specifications

Customer to connect power and gas to unit.
Customer also to furnish pad for incinerator.

Power: 115V

Natural Gas: 5" to 8" W.C. gas pressure
Minimum 1-1/2" gas pipe

LP Gas: Low pressure
Minimum 5/8" gas pipe

Specifications

Height: 8'11" **Length:** 4' **Width:** 3'

Weight: 3,000 lbs

Metal: 11 gauge **Lining:** 3" 3000° refractory

Charge Door: 17" x 17" **Lining:** 2" 3,000° refractory

Secondary Chamber: 5'7"
2" refractory lining

Ash Door: 4" x 6" **Lining:** 4" 3000° refractory

Grates: 3 grates 20" long

Burners: 100,000 BTU incinimite burner with cover
50,000 BTU Second Chamber burner with cover

Clean-out Rod: 54" long

Two Timers: 60 minute

Warranty

National Incinerator, Inc. guarantees all materials and workmanship used in the construction of its incinerator and the refractory for a one year period from the date of installation. All purchased electrical parts such as burners, fans, timers, and other controls will carry the applicable manufacturer's guarantee of 90 days. Seller shall not be liable for any injury or damages to person or property or any other incidental or consequential damages.



NATIONAL INCINERATOR INCORPORATED

P.O. BOX 266

BOAZ, AL 35957

(205) 589-6720 • FAX (205) 589-2326