

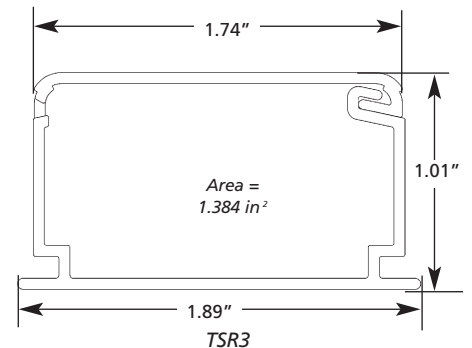
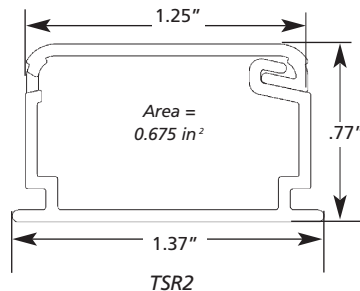
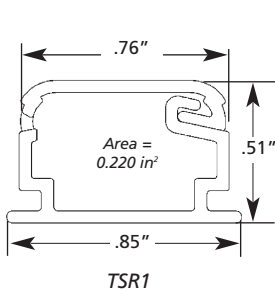
Surface Raceway Systems

HellermannTyton's surface raceway systems are industry preferred for their sleek designs, labor savings features, and durability. With the addition of the new TSRP power surface raceway, HellermannTyton offers an integrated raceway package which fits together to meet the requirements of most any raceway application. Installed at school systems, hospitals, research centers, factories, offices, and many other end-user locations, HellermannTyton's raceway systems make the difference in aesthetics, durability and cost savings through designs which promote easy installation.

TSR — Low Voltage Surface Raceway

HellermannTyton's low voltage raceway (TSR) is a one piece, non-metallic, adhesive backed latching raceway designed to aesthetically organize and route communications wires including high speed UTP cable and fiber optic cable from the telecommunications room to the work area.

- Tamper resistant, the cover's self-locking, hidden positive latch permits quick re-entry as well as providing a secure installation of premise wire.
- Manufactured from UL 94V-0 rated PVC material
- Fittings incorporate a minimum 1" bend radius per TIA/EIA 568-B and 569-A standards.
- Rubber-based foam tape adhesive with high ultimate bond strength conforms to any surface.
- Flexible hinge allows the raceway to endure numerous openings without creating discoloration or stress cracking.
- Junction boxes can be used for electrical or data outlets
- Available in 6 and 8 ft. lengths in three widths – 3/4", 1-1/4" and 1-3/4" for varying cabling requirements.



Product Selection

Part Number	Description	Dimensions	Pkg. Qty.
TSR1 Raceway			
TSR1X-6A	3/4" One Piece Surface Raceway	3/4"(W) x 1/2"(H) x 6'(L)	120 feet of 6 foot lengths
TSR1X-8A	3/4" One Piece Surface Raceway	3/4"(W) x 1/2"(H) x 8'(L)	160 feet of 8 foot lengths
TSR2 Raceway			
TSR2X-6A	1-1/4" One Piece Surface Raceway	1-1/4"(W) x 3/4"(H) x 6'(L)	120 feet of 6 foot lengths
TSR2X-8A	1-1/4" One Piece Surface Raceway	1-1/4"(W) x 3/4"(H) x 8'(L)	160 feet of 8 foot lengths
TSR3 Raceway			
TSR3X-6A	1-3/4" One Piece Surface Raceway	1-3/4"(W) x 1"(H) x 6'(L)	120 feet of 6 foot lengths
TSR3X-8A	1-3/4" One Piece Surface Raceway	1-3/4"(W) x 1"(H) x 8'(L)	160 feet of 8 foot lengths

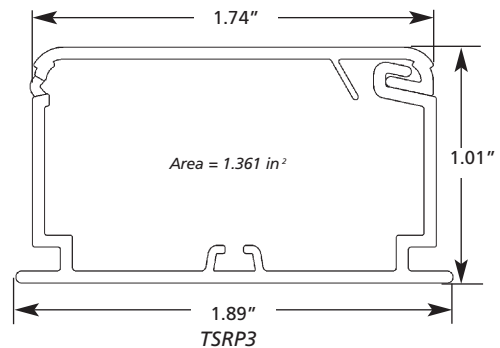
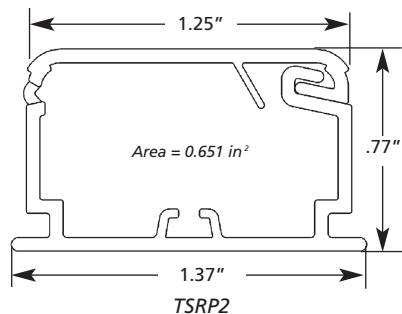
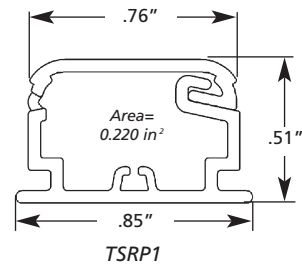


Replace "X" in the part number with the following letters for desired color: X = I (ivory), FW (office white), W (white)

TSRP — Power Surface Raceway

HellermannTyton's TSRP power surface raceway is a one piece, non-metallic, adhesive backed latching raceway designed to aesthetically organize and route either power or communications cables.

- Completely tamper resistant, the cover's self-locking, hidden positive latch permits quick re-entry as well as providing a secure installation of power cables.
- U.L. Listed for power up to 600 Volts, meeting UL5A and CSA 22.2 Number 62-93 Standards.
- Manufactured from UL 94V-0 rated PVC material
- Fittings incorporate a minimum 1" bend radius per TIA/EIA 568-B and 569-A standards.
- Large base for greater adhesive surface.
- Rubber-based foam tape adhesive with high ultimate bond strength, which conforms to any surface.
- Flexible hinge allows the raceway to endure numerous openings without creating discoloration or stress cracking.
- Junction boxes can be used for electrical or data outlets.
- Designed to complement HellermannTyton's industry standard TSR low voltage raceway system.



TSRP — Power Surface Raceway

Product Selection

Part Number	Description	Dimensions	Pkg. Qty.
TSRP1 Raceway			
TSRP1X-6A	3/4" One Piece Surface Raceway	3/4" (W) x 1/2" (H) x 6'(L)	120 feet of 6 foot lengths
TSRP1X-8A	3/4" One Piece Surface Raceway	3/4" (W) x 1/2" (H) x 8'(L)	160 feet of 8 foot lengths
TSRP2 Raceway			
TSRP2X-6A	1-1/4" One Piece Surface Raceway	1-1/4" (W) x 3/4" (H) x 6'(L)	120 feet of 6 foot lengths
TSRP2X-8A	1-1/4" One Piece Surface Raceway	1-1/4" (W) x 3/4" (H) x 8'(L)	160 feet of 8 foot lengths
TSRP3 Raceway			
TSRP3X-6A	1-3/4" One Piece Surface Raceway	1-3/4" (W) x 1" (H) x 6'(L)	120 feet of 6 foot lengths
TSRP3X-8A	1-3/4" One Piece Surface Raceway	1-3/4" (W) x 1" (H) x 8'(L)	160 feet of 8 foot lengths



Replace "X" in the part number with the following letters for desired color: X = I (ivory), FW (office white), W (white)