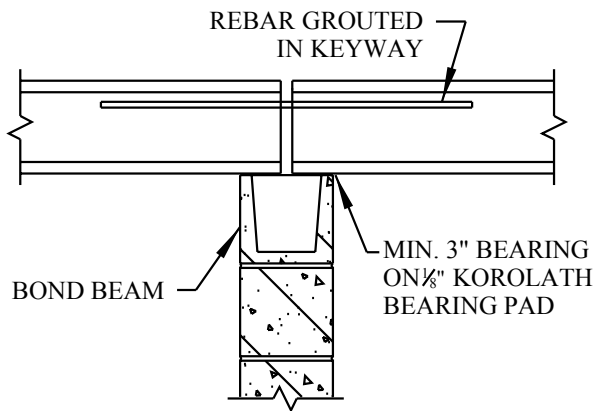
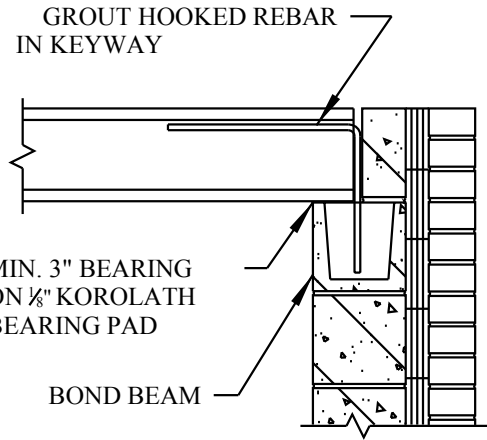


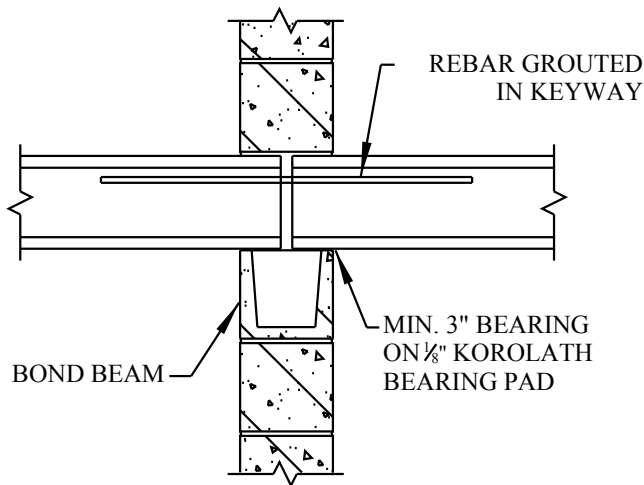
COREFLOOR ON MASONRY



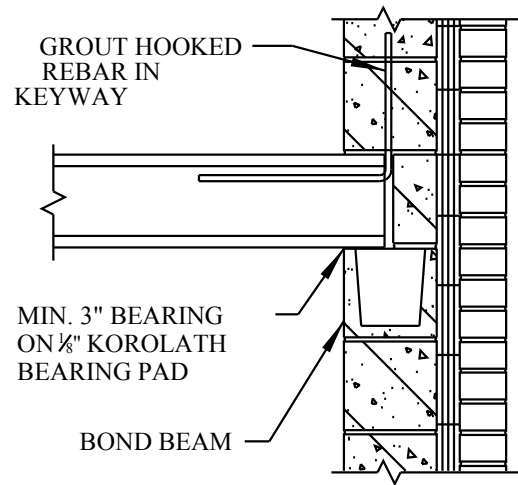
INTERIOR BEARING WALL AT ROOF



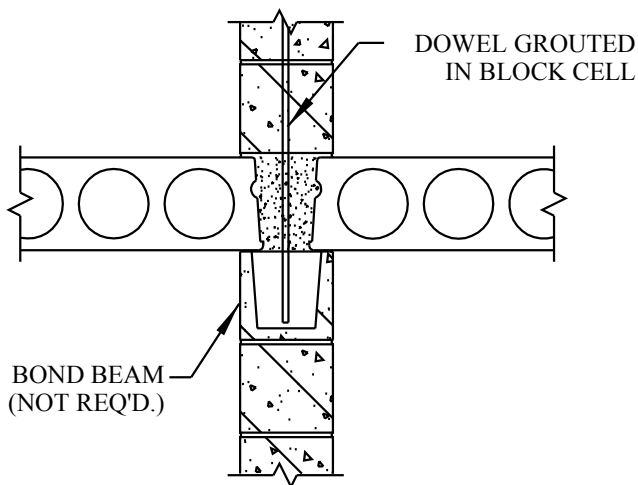
EXTERIOR BEARING WALL AT ROOF



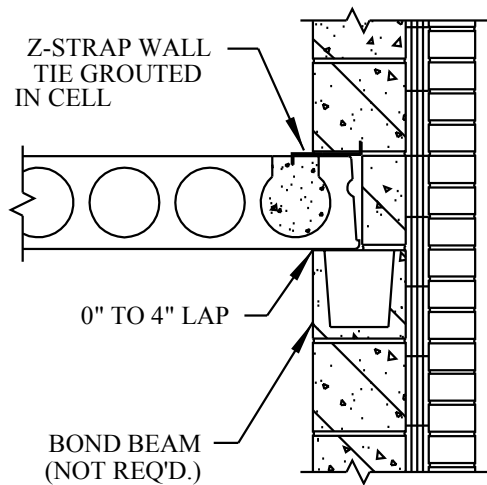
INTERIOR BEARING WALL AT FLOOR



EXTERIOR BEARING WALL AT FLOOR



INTERIOR SHEAR WALL



EXTERIOR NON-BEARING WALL